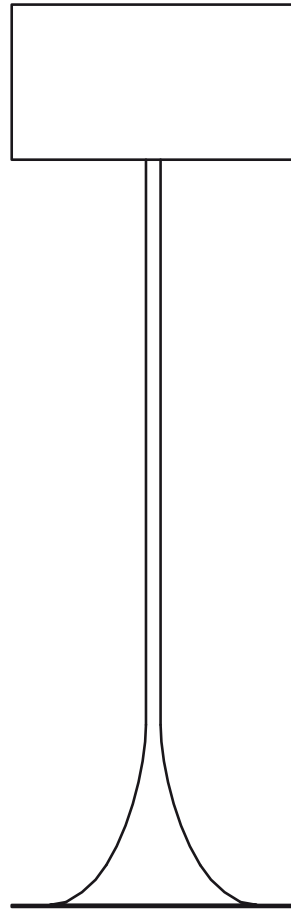


SPUN LIGHT F

Designed by Sebastian Wrong, 2003

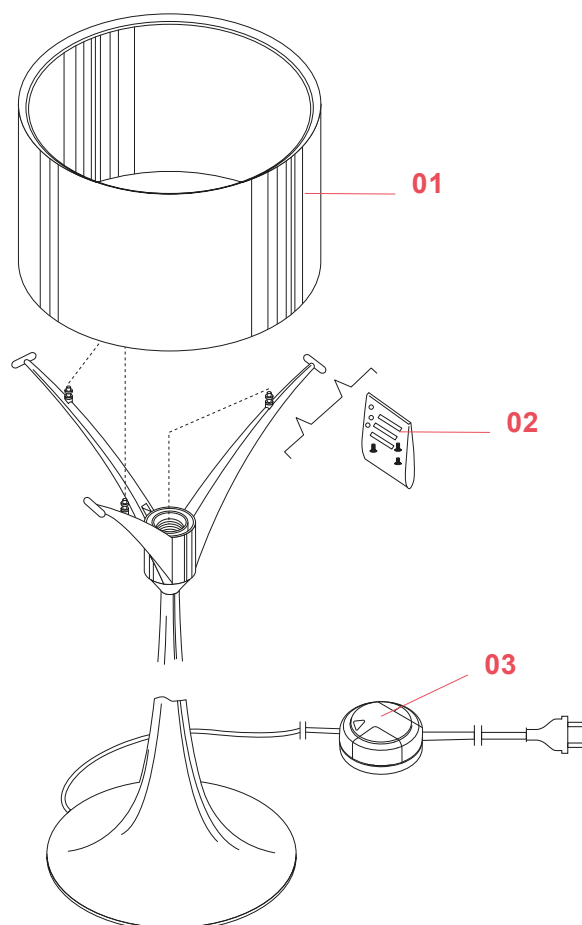
F6612009



SPUN LIGHT F

F6612009

EN



01. 12144 – F white diffuser

02. RF6610100 – Bag with diffuser supports and O-rings

03. RF28200 –Led Rondò Dimmer 220/240V 40-250W 4-100W

SPUN LIGHT F F6612009

EN

12144

F WHITE DIFFUSER



WARNING! When installing and whenever acting on the appliance, ensure that the power supply has been switched off.
For the installation of the spare-part, it is necessary to consult a qualified electrician.

©2021 Flos - All rights reserved - www.flos.com
Flos reserves the right to introduce any changes to its own models, without prior notice.

SPUN LIGHT F F6612009

EN

12144

F WHITE DIFFUSER

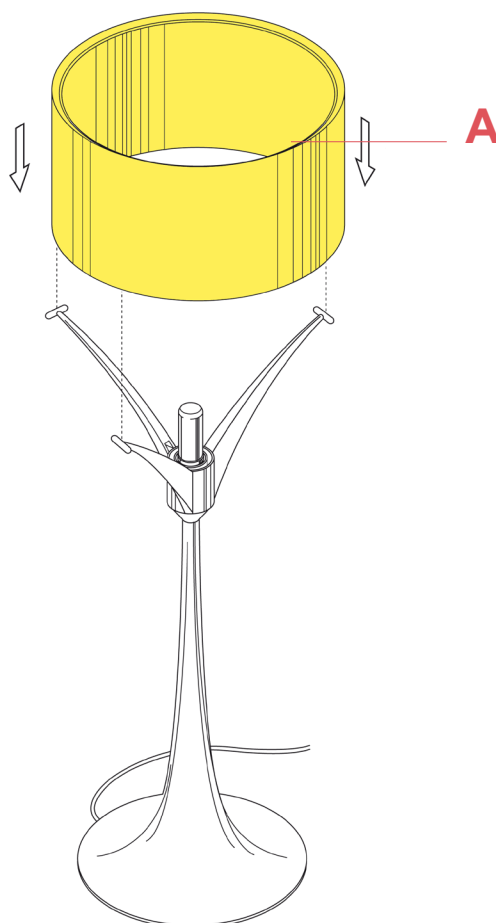


Fig.1

Place the diffuser (A) on the lamp body.

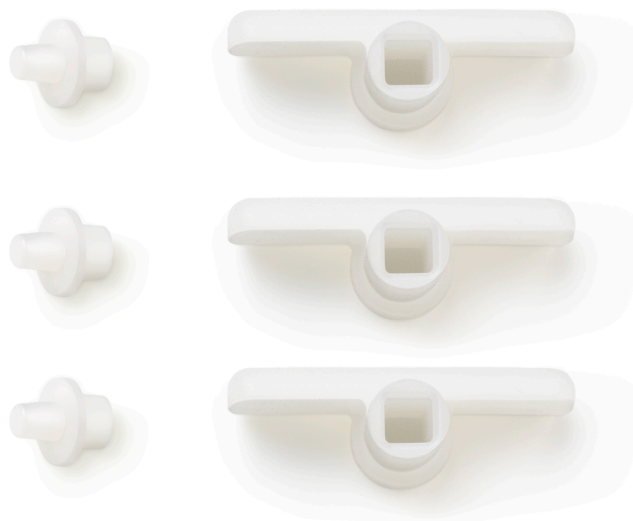
WARNING! When installing and whenever acting on the appliance, ensure that the power supply has been switched off.
For the installation of the spare-part, it is necessary to consult a qualified electrician.

SPUN LIGHT F F6612009

EN

RF6610100

BAG WITH DIFFUSER SUPPORTS AND O-RING



Spun
Light F
p.05



Spun
Light T1
p.09



Spun
Light T2
p.09

WARNING! When installing and whenever acting on the appliance, ensure that the power supply has been switched off.
For the installation of the spare-part, it is necessary to consult a qualified electrician.

SPUN LIGHT F F6612009

EN

RF6610100

BAG WITH DIFFUSER SUPPORTS AND O-RING

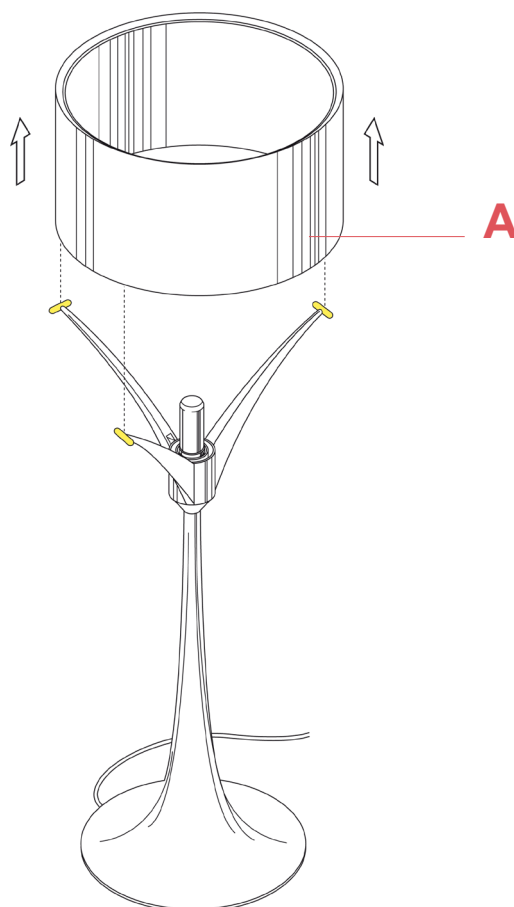


Fig.1

Remove delicately the diffuser (A) from the lamp body.

WARNING! When installing and whenever acting on the appliance, ensure that the power supply has been switched off.
For the installation of the spare-part, it is necessary to consult a qualified electrician.

SPUN LIGHT F F6612009

EN

RF6610100

BAG WITH DIFFUSER SUPPORTS AND O-RING

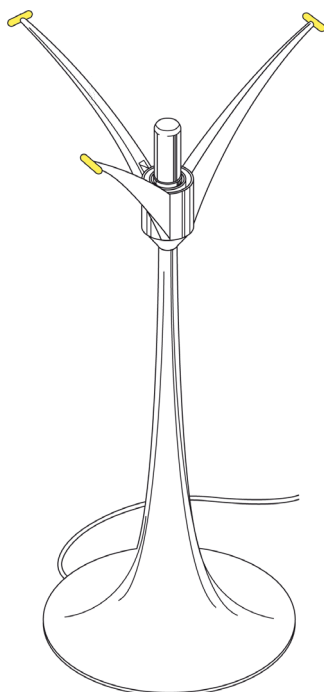


Fig.2

Collocate and insert the white rubber diffuser supports on the tips of the lamp spokes.

WARNING! When installing and whenever acting on the appliance, ensure that the power supply has been switched off.
For the installation of the spare-part, it is necessary to consult a qualified electrician.

©2021 Flos - All rights reserved - www.flos.com
Flos reserves the right to introduce any changes to its own models, without prior notice.

SPUN LIGHT F F6612009

EN

RF6610100

BAG WITH DIFFUSER SUPPORTS AND O-RING

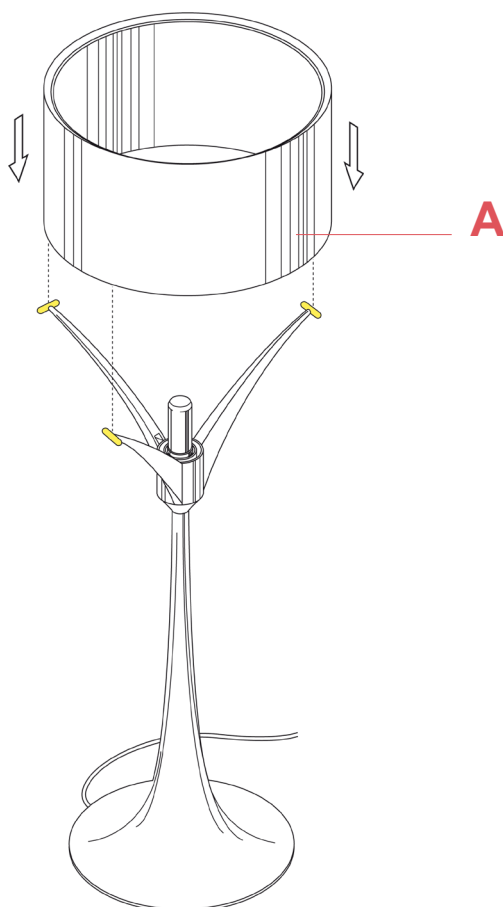


Fig.3

Place the diffuser (A) on the lamp body.

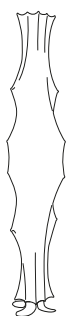
WARNING! When installing and whenever acting on the appliance, ensure that the power supply has been switched off.
For the installation of the spare-part, it is necessary to consult a qualified electrician.

SPUN LIGHT F F6612009

EN

RF28200

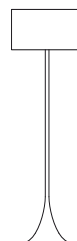
LED RONDO' DIMMER 220/240V 40-250W 4-100W



Fantasma Piccolo
p.03



Lounge Gun
p.13



Spun Light F
p.09

WARNING! When installing and whenever acting on the appliance, ensure that the power supply has been switched off.
For the installation of the spare-part, it is necessary to consult a qualified electrician.

SPUN LIGHT F F6612009

EN

RF28200

LED RONDO' DIMMER 220/240V 40-250W 4-100W



Fig.1



Fig.2

Open the box of the damaged dimmer.

For the opening, it is necessary to remove the rubber pad from underneath the dimmer box (refer to fig.1);

Unfasten the screw that locks the triangle terminal cover (refer to fig.2);

WARNING! When installing and whenever acting on the appliance, ensure that the power supply has been switched off.
For the installation of the spare-part, it is necessary to consult a qualified electrician.

RF28200

LED RONDO' DIMMER 220/240V 40-250W 4-100W



Fig.3



Fig.4

Turn the dimmer box and remove the terminal cover (refer to fig. 3);

Unfasten the three screws of the cable clamps (refer to fig. 4);

WARNING! When installing and whenever acting on the appliance, ensure that the power supply has been switched off. For the installation of the spare-part, it is necessary to consult a qualified electrician.

SPUN LIGHT F F6612009

EN

RF28200

LED RONDO' DIMMER 220/240V 40-250W 4-100W



Fig.5



Fig.6

Remove the cable clamp (refer to fig. 5) and disconnect the cables from the green terminal box (refer to fig. 6).

Assemble now the new dimmer:

Connect the cables respecting the polarities, lock the wires by positioning the cable clamp and then fasten the three screws, cover the green terminal box with the triangle cover, turn the dimmer box, fasten the screw and stick-on the rubber pads.

WARNING! When installing and whenever acting on the appliance, ensure that the power supply has been switched off.
For the installation of the spare-part, it is necessary to consult a qualified electrician.

©2021 Flos - All rights reserved - www.flos.com
Flos reserves the right to introduce any changes to its own models, without prior notice.