

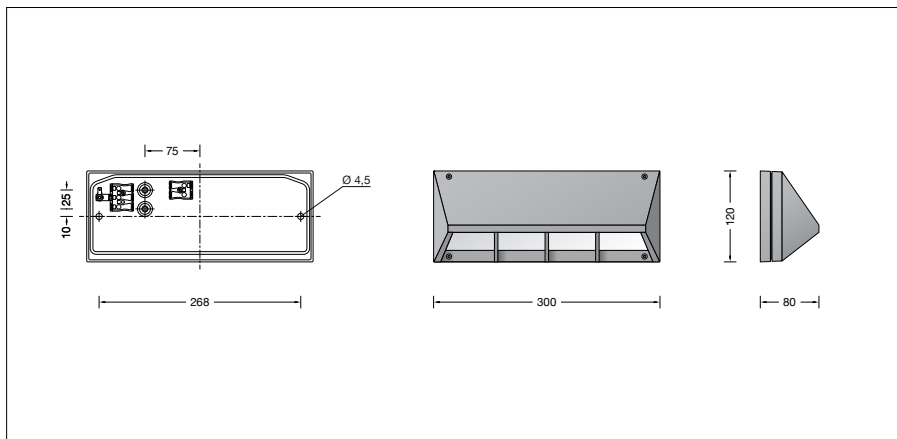
BEGA**22 385**

Wall luminaire



Project · Reference number

Date



Product data sheet

Application

Wall luminaire with directed light.
A luminaire with concentrated light distribution downwards which additionally utilises the reflection properties of the mounting surface.

The colour temperature of the luminaire can be set optionally to 3000K and 4000K.

Lamp

Module connected wattage	11.8 W
Luminaire connected wattage	14 W
Module designation	LED-1480/83040
Colour rendering index	CRI > 80
Rated temperature	$t_a = 25\text{ °C}$
Ambient temperature	$t_{a\text{ max}} = 50\text{ °C}$

Operation at colour temperature	3000 K
Module luminous flux	2155 lm
Luminaire luminous flux	1179 lm
Luminaire luminous efficiency	84,2 lm/W

Operation at colour temperature	4000 K
Module luminous flux	2260 lm
Luminaire luminous flux	1236 lm
Luminaire luminous efficiency	88,3 lm/W

Service life · Ambient temperature

Rated temperature $t_a = 25\text{ °C}$	
LED psu:	> 50,000h
LED module:	175,000h (L80B50)

Ambient temperature max. $t_a = 50\text{ °C}$ (100 %)

LED psu:	50,000h
LED module:	135,000h (L80B50)

Product description

Luminaire made of aluminium alloy, aluminium and stainless steel
BEGA Unidure® coating technology
Colour graphite or silver
Matt safety glass
Reflector made of pure anodised aluminium
Silicone gasket
2 mounting holes $\varnothing 4.5\text{ mm}$
Distance apart 268 mm
2 cable entries for through-wiring of mains supply cable $\varnothing 7\text{--}10.5\text{ mm}$, max. 5G1.5[□]
Connection terminal 2.5[□]
Earth conductor connection
Complies with flicker requirements in accordance with IEEE 1789, DIN IEC/TR 63158, DIN IEC/TR 61547-1
LED power supply unit
220-240 V \sim 0/50-60 Hz
DC 176-276 V
During DC operation the LED power is reduced to 15 %
DALI-controllable
Number of DALI addresses: 1
Basic insulation is provided between the mains and control cables
BEGA Thermal Control®
Temporary thermal regulation to protect temperature-sensitive components without switching off the luminaire
Safety class I
⊕ Ballproof – The testing of ball impact safety was carried out exclusively with handballs in accordance with DIN 18032-3: 2018-11.
Protection class IP 65
Dust-tight and protection against water jets
Impact strength IK10
Protection against mechanical impacts < 20 joule
⊕ – Safety mark
CE – Conformity mark
Weight: 1.6 kg
This product contains light sources of energy efficiency class(es) C

Lighting technology

Luminaire data for the DIALux lighting design program for outdoor lighting, street lighting and indoor lighting, as well as luminaire data in EULUMDAT and IES format are available on the BEGA website at www.bega.com.

Inrush current

Inrush current: 5 A / 50 μs
Maximum number of luminaires of this type per miniature circuit breaker:
B10A: 31 luminaires
B16A: 50 luminaires
C10A: 52 luminaires
C16A: 85 luminaires

Ratio of luminous flux

Luminous flux upper half-space 1,1 %
Luminous flux lower half-space 98,9 %

BUG rating according to IES TM-15-07: 1-1-0

CEN Flux Code according to EN 13032-2: 58-87-97-99-100-0-0-14-1

BEGA Constant Optics®

BEGA Constant Optics® is an efficient optical system that is virtually impervious to wear and tear. The durable materials used, including glass, pure aluminium and silicone, show no effects of ageing, even under extreme conditions like high temperatures and UV radiation.

Article No. 22 385

Colour graphite or silver
graphite – article number
silver – article number + A

Light distribution