

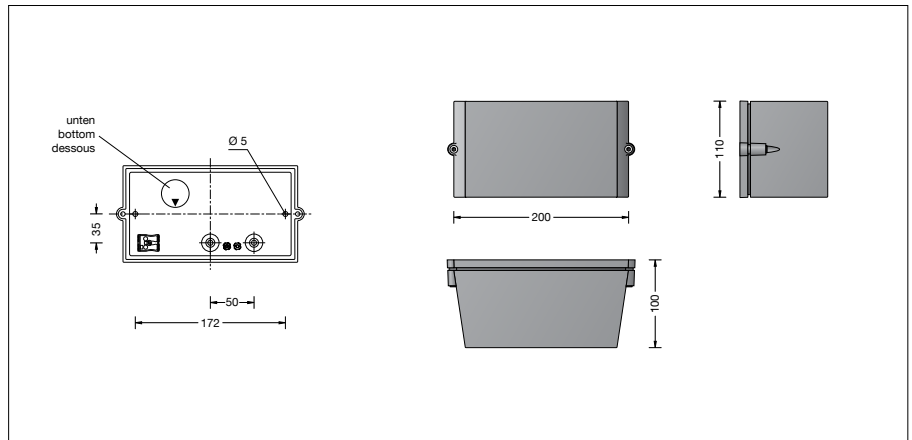
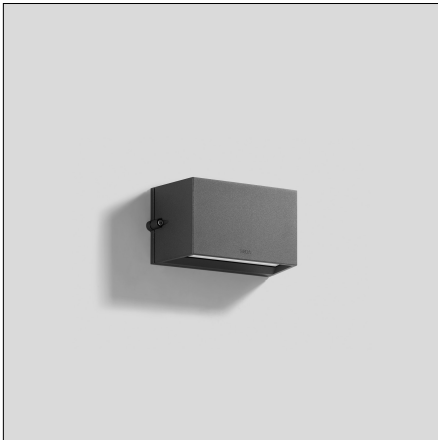
BEGA**22 359**

Wall luminaire



Project · Reference number

Date



Product data sheet

Product description

Luminaire made of aluminium alloy, aluminium and stainless steel
 BEGA Unidure® coating technology
 Matt safety glass
 Silicone gasket
 Reflector made of pure anodised aluminium
 2 mounting holes \varnothing 5 mm
 Distance apart 172 mm
 2 cable entries for through-wiring of mains supply cable \varnothing 7-10.5 mm
 Connection terminal 2.5²
 Earth conductor connection
 BEGA Ultimate Driver®
 LED power supply unit
 220-240 V \sim 0/50-60 Hz
 DC 176-280 V
 BEGA Thermal Control®
 Temporary thermal regulation to protect temperature-sensitive components without switching off the luminaire
 Safety class I
 Protection class IP 65
 Dust-tight and protection against water jets
 Impact strength IK04
 Protection against mechanical impacts < 0.5 joule
 – Safety mark
 – Conformity mark
 Weight: 1.5 kg
 This product contains light sources of energy efficiency class(es) C

Application

Wall luminaire with shielded light source.
 A luminaire of high protection class and single-sided, downwards directed light sector. For a variety of lighting tasks in interior and exterior lighting applications.
 The colour temperature of the luminaire can be set optionally to 3000 and 4000 K.

Dark Sky

The light of this luminaire is directed evenly and highly efficiently onto the surface to be illuminated. No light is emitted into the upper half-space of the luminaire.

Lamp

Module connected wattage	7.8 W
Luminaire connected wattage	9.6 W
Module designation	LED-1462/83040
Colour rendering index	CRI > 80
Rated temperature	$t_a = 25$ °C
Ambient temperature	$t_{a\max} = 55$ °C

Operation at colour temperature	3000 K
Module luminous flux	1425 lm
Luminaire luminous flux	416 lm
Luminaire luminous efficiency	43,3 lm/W

Operation at colour temperature	4000 K
Module luminous flux	1495 lm
Luminaire luminous flux	437 lm
Luminaire luminous efficiency	45,5 lm/W

Service life · Ambient temperature

Rated temperature $t_a = 25$ °C
 LED psu: > 50,000 h
 LED module: 180,000 h (L.80 B50)

Ambient temperature max. $t_a = 55$ °C (100 %)
 LED psu: 50,000 h
 LED module: 125,000 h (L.80 B50)

Inrush current

Inrush current: 5 A / 40 μ s
 Maximum number of luminaires of this type per miniature circuit breaker:
 B 10A: 50 luminaires
 B 16A: 50 luminaires
 C 10A: 80 luminaires
 C 16A: 80 luminaires

Lighting technology

Luminaire data for the DIALux lighting design program for outdoor lighting, street lighting and indoor lighting, as well as luminaire data in EULUMDAT and IES format are available on the BEGA website at www.bega.com.

Ratio of luminous flux

Luminous flux upper half-space	0 %
Luminous flux lower half-space	100 %

BUG rating according to IES TM-15-07:
 0-0-0

CEN Flux Code according to EN 13032-2:
 69-93-99-100-100

Article No. 22 359

LED colour temperature optionally 3000K or 4000K
 3000 K – Article number + **K3**
 4000 K – Article number + **K4**

Colour optionally graphite, white or silver
 Graphite – Article number
 White – Article number + **W**
 Silver – Article number + **A**

Light distribution

