

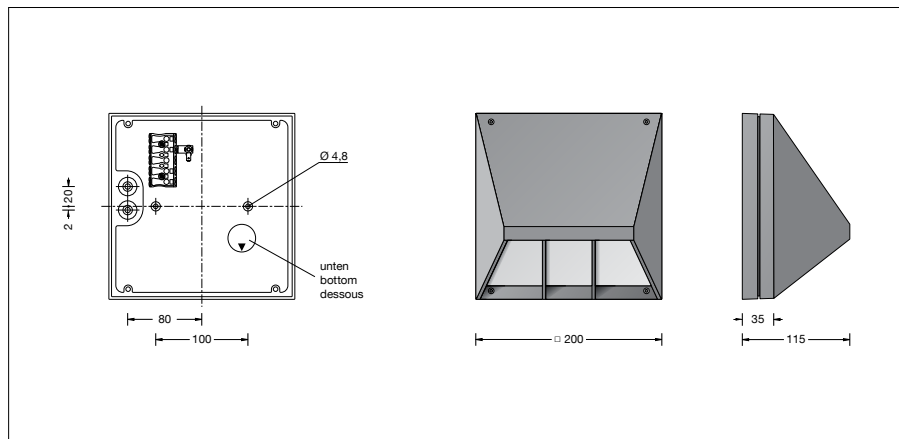
**BEGA****22 256**

Wall luminaire



Project · Reference number

Date



## Product data sheet

### Product description

Luminaire made of aluminium alloy, aluminium and stainless steel  
 BEGA Unidure® coating technology  
 Colour graphite or silver  
 Matt safety glass  
 Silicone gasket  
 Reflector made of pure anodised aluminium  
 2 mounting holes  $\varnothing$  5 mm  
 Distance apart 100 mm  
 2 cable entries for through-wiring of mains supply cable  $\varnothing$  7-10.5 mm, max. 5 G 1.5<sup>□</sup>  
 2-pole connecting terminal for digital control  
 Connecting terminal and earth conductor terminal 2.5<sup>□</sup>  
 LED power supply unit  
 220-240 V  $\sim$  0/50-60 Hz  
 During DC operation the LED power is reduced to 15 %  
 DALI-controllable  
 Number of DALI addresses: 1  
 Basic insulation is provided between the mains and control cables  
 BEGA Thermal Control®  
 Temporary thermal regulation to protect temperature-sensitive components without switching off the luminaire  
 Safety class I  
 Protection class IP 65  
 Dust-tight and protection against water jets  
 Impact strength IK09  
 Protection against mechanical impacts < 10 joule  
 – Safety mark  
 – Conformity mark  
 Weight: 1.8 kg  
 This product contains light sources of energy efficiency class(es) D

### Application

Wall luminaire for glare-free lighting of walls, traffic areas and house entrances.  
 Very robust luminaire with excellent lighting qualities.  
 The colour temperature of the luminaire can be set optionally to 3000 K and 4000 K.

### Lamp

|                             |                      |
|-----------------------------|----------------------|
| Module connected wattage    | 20.7 W               |
| Luminaire connected wattage | 22.8 W               |
| Module designation          | LED-1447/83040       |
| Colour rendering index      | CRI > 80             |
| Rated temperature           | $t_a = 25$ °C        |
| Ambient temperature         | $t_{a \max} = 40$ °C |

On request we can offer you modifications for environments with higher temperatures as a customized product.

|                                 |           |
|---------------------------------|-----------|
| Operation at colour temperature | 3000 K    |
| Module luminous flux            | 3415 lm   |
| Luminaire luminous flux         | 1721 lm   |
| Luminaire luminous efficiency   | 75,5 lm/W |

|                                 |           |
|---------------------------------|-----------|
| Operation at colour temperature | 4000 K    |
| Module luminous flux            | 3465 lm   |
| Luminaire luminous flux         | 1746 lm   |
| Luminaire luminous efficiency   | 76,6 lm/W |

### Service life · Ambient temperature

|                                 |                         |
|---------------------------------|-------------------------|
| Rated temperature $t_a = 25$ °C |                         |
| LED psu:                        | > 50,000 h              |
| LED module:                     | > 200,000 h (L 80 B 50) |
|                                 | 100,000 h (L 90 B 50)   |

|  |                       |
|--|-----------------------|
| Ambient temperature max. $t_a = 40$ °C (100 %) |                       |
| LED psu:                                       | 50,000 h              |
| LED module:                                    | 175,000 h (L 80 B 50) |

### Inrush current

Inrush current: 5 A / 50  $\mu$ s  
 Maximum number of luminaires of this type per miniature circuit breaker:  
 B 10A: 31 luminaires  
 B 16A: 50 luminaires  
 C 10A: 52 luminaires  
 C 16A: 85 luminaires

### Lighting technology

Luminaire data for the DIALux lighting design program for outdoor lighting, street lighting and indoor lighting, as well as luminaire data in EULUMDAT and IES format are available on the BEGA website at [www.bega.com](http://www.bega.com).

### Ratio of luminous flux

|                                |        |
|--------------------------------|--------|
| Luminous flux upper half-space | 1,8 %  |
| Luminous flux lower half-space | 98,2 % |

BUG rating according to IES TM-15-07:

1-2-1

CEN Flux Code according to EN 13032-2:  
 60-86-96-98-100-0-0-19-2

### BEGA Constant Optics®

BEGA Constant Optics® is an efficient optical system that is virtually impervious to wear and tear. The durable materials used, including glass, pure aluminium and silicone, show no effects of ageing, even under extreme conditions like high temperatures and UV radiation.

### Article No. 22 256

Colour graphite or silver  
 graphite – article number  
 silver – article number + **A**

### Light distribution

