

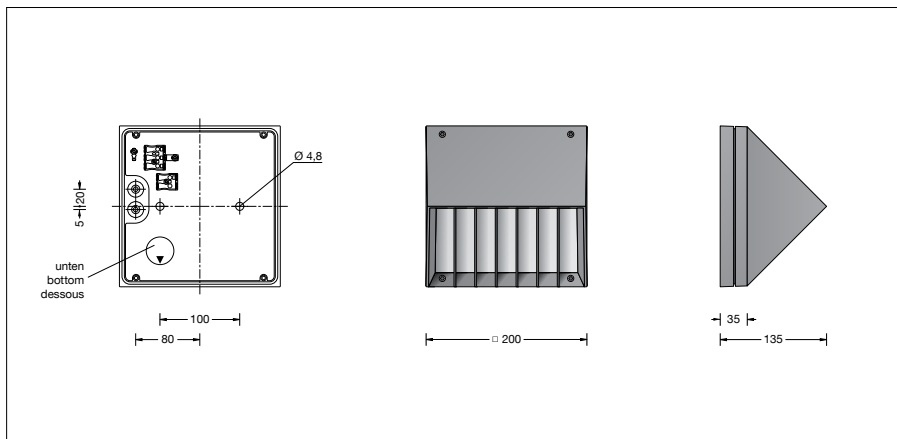
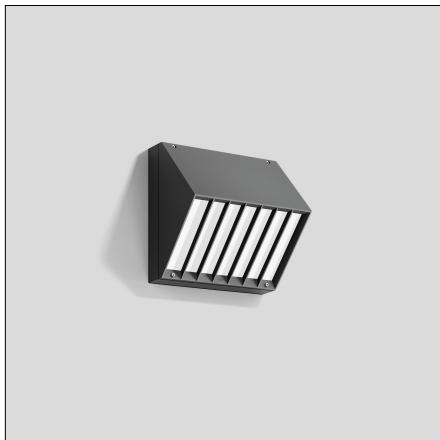
BEGA**33 238**

Wall luminaire



Project · Reference number

Date



Product data sheet

Product description

Luminaire made of aluminium alloy, aluminium and stainless steel
 BEGA Unidure® coating technology
 Colour graphite or silver
 Safety glass with optical structure
 Silicone gasket
 Reflector made of pure anodised aluminium
 2 mounting holes \varnothing 4.8mm
 Distance apart 100mm
 2 cable entries for through-wiring of mains supply cable \varnothing 7-10.5mm, max. 5G 1.5[□]
 Connecting terminal and earth conductor terminal 2.5[□]
 LED power supply unit
 220-240 V \sim 0/50-60 Hz
 DALI-controllable
 Number of DALI addresses: 1
 Basic insulation is provided between the mains and control cables
 BEGA Thermal Control®
 Temporary thermal regulation to protect temperature-sensitive components without switching off the luminaire
 Safety class I
 Protection class IP 65
 Dust-tight and protection against water jets
 Impact strength IK09
 Protection against mechanical impacts < 10 joule
 – Safety mark
 – Conformity mark
 Weight: 2.2 kg
 This product contains light sources of energy efficiency class(es) C

Application

Wall luminaire with asymmetrical light distribution.
 For lighting of floor spaces, traffic areas and house entrances.

Lamp

Module connected wattage	17.6 W
Luminaire connected wattage	20 W
Rated temperature	$t_a = 25\text{ }^\circ\text{C}$
Ambient temperature	$t_{a\text{ max}} = 45\text{ }^\circ\text{C}$

On request we can offer you modifications for environments with higher temperatures as a customized product.

33 238 K3

Module designation	LED-0281/830
Colour temperature	3000 K
Colour rendering index	CRI > 80
Module luminous flux	3340 lm
Luminaire luminous flux	1785 lm
Luminaire luminous efficiency	89,2 lm/W

33 238 K4

Module designation	LED-0281/840
Colour temperature	4000 K
Colour rendering index	CRI > 80
Module luminous flux	3435 lm
Luminaire luminous flux	1836 lm
Luminaire luminous efficiency	91,8 lm/W

Service life · Ambient temperature

Rated temperature $t_a = 25\text{ }^\circ\text{C}$	
LED psu:	> 50,000 h
LED module:	> 200,000 h (L80B50) > 100,000 h (L90B50)

Ambient temperature max. $t_a = 45\text{ }^\circ\text{C}$ (100 %)

LED psu:	50,000 h
LED module:	> 200,000 h (L80B50) > 100,000 h (L90B50)

Dark Sky

The light of this luminaire is directed evenly and highly efficiently onto the surface to be illuminated. Less than 1 % of the luminaire luminous flux is emitted into the upper half-space of the luminaire.

Ratio of luminous flux

Luminous flux upper half-space	0,9 %
Luminous flux lower half-space	99,1 %

BUG rating according to IES TM-15-07:

1 – 1 – 1

CEN Flux Code according to EN 13032-2:

62 – 86 – 98 – 99 – 100 – 1 – 5 – 31 – 1

Lighting technology

Luminaire data for the DIALux lighting design program for outdoor lighting, street lighting and indoor lighting, as well as luminaire data in EULUMDAT and IES format are available on the BEGA website at www.bega.com.

Inrush current

Inrush current: 5 A / 50 μ s

Maximum number of luminaires of this type per miniature circuit breaker:

B 10A: 31 luminaires

B 16A: 50 luminaires

C 10A: 52 luminaires

C 16A: 85 luminaires

BEGA Constant Optics®

BEGA Constant Optics® is an efficient optical system that is virtually impervious to wear and tear. The durable materials used, including glass, pure aluminium and silicone, show no effects of ageing, even under extreme conditions like high temperatures and UV radiation.

Article No. 33 238

LED colour temperature optionally 3000 K or 4000 K

3000 K – Article number + **K3**

4000 K – Article number + **K4**

Colour graphite or silver
 graphite – article number
 silver – article number + **A**

Light distribution