

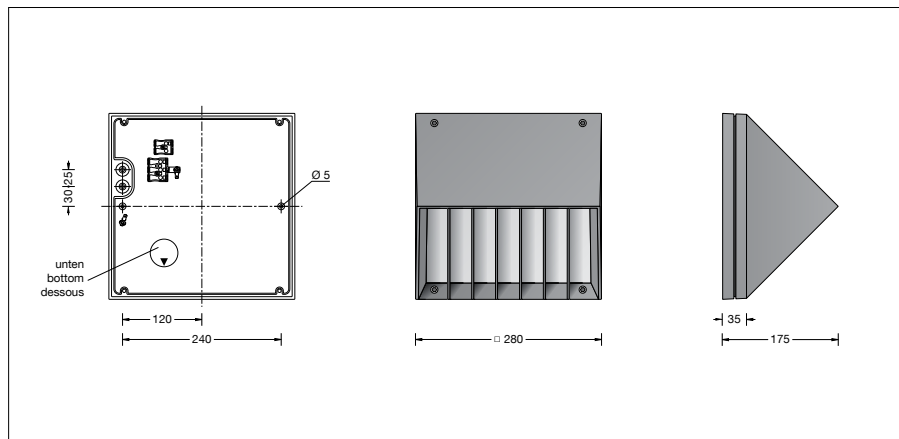
**BEGA****33 239**

Wall luminaire



Project · Reference number

Date



## Product data sheet

**Product description**

Luminaire made of aluminium alloy and stainless steel  
 BEGA Unidure® coating technology  
 Safety glass with optical structure  
 Silicone gasket  
 Reflector made of pure anodised aluminium  
 2 mounting holes  $\varnothing$  5 mm  
 Distance apart 240 mm  
 2 cable entries for through-wiring of mains supply cable  $\varnothing$  7-10.5 mm, max. 5 G 1.5<sup>□</sup>  
 Connecting terminal and earth conductor terminal 2.5<sup>□</sup>  
 BEGA Ultimate Driver®  
 LED power supply unit  
 220-240 V  $\sim$  0/50-60 Hz  
 DC 176-264 V  
 DALI-controllable  
 Number of DALI addresses: 1  
 Basic insulation is provided between the mains and control cables  
 BEGA Thermal Control®  
 Temporary thermal regulation to protect temperature-sensitive components without switching off the luminaire  
 Safety class I  
 Protection class IP 65  
 Dust-tight and protection against water jets  
 Impact strength IK09  
 Protection against mechanical impacts < 10 joule  
 – Safety mark  
 – Conformity mark  
 Weight: 4.0 kg  
 This product contains light sources of energy efficiency class(es) C

**Application**

Wall luminaire with asymmetrical light distribution.  
 For lighting of floor spaces, traffic areas and house entrances.

**Dark Sky**

The light of this luminaire is directed evenly and highly efficiently onto the surface to be illuminated. Less than 1 % of the luminaire luminous flux is emitted into the upper half-space of the luminaire.

**Lamp**

Module connected wattage 29.8 W  
 Luminaire connected wattage 34 W  
 Rated temperature  $t_a = 25$  °C  
 Ambient temperature  $t_{a,max} = 40$  °C

**33 239 K3**

Module designation LED-0315/830  
 Colour temperature 3000 K  
 Colour rendering index CRI > 80  
 Module luminous flux 5825 lm  
 Luminaire luminous flux 3687 lm  
 Luminaire luminous efficiency 108,4 lm/W

**33 239 K4**

Module designation LED-0315/840  
 Colour temperature 4000 K  
 Colour rendering index CRI > 80  
 Module luminous flux 5990 lm  
 Luminaire luminous flux 3793 lm  
 Luminaire luminous efficiency 111,6 lm/W

**Service life · Ambient temperature**

Rated temperature  $t_a = 25$  °C  
 LED psu: > 50,000 h  
 LED module: > 200,000 h (L 80 B 50)  
 100,000 h (L 90 B 50)

Ambient temperature max.  $t_a = 40$  °C (100 %)

LED psu: 50,000 h  
 LED module: 119,000 h (L 80 B 50)

Ambient temperature max.  $t_a = 50$  °C (83 %)

LED psu: > 50,000 h  
 LED module: > 50,000 h (L 70 B 50)

BEGA Thermal Control® protects temperature-sensitive luminaire components by temporarily limiting the nominal power at high temperatures.

**Lighting technology**

Luminaire data for the DIALux lighting design program for outdoor lighting, street lighting and indoor lighting, as well as luminaire data in EULUMDAT and IES format are available on the BEGA website at [www.bega.com](http://www.bega.com).

**Inrush current**

Inrush current: 5 A / 100  $\mu$ s  
 Maximum number of luminaires of this type per miniature circuit breaker:

B 10 A: 28 luminaires  
 B 16 A: 45 luminaires  
 C 10 A: 28 luminaires  
 C 16 A: 48 luminaires

**Ratio of luminous flux**

Luminous flux upper half-space 0,9 %  
 Luminous flux lower half-space 99,1 %

BUG rating according to IES TM-15-07:

2-1-1

CEN Flux Code according to EN 13032-2:  
 63-87-98-99-100

**Article No. 33 239**

LED colour temperature optionally 3000 K or 4000 K

3000 K – Article number + **K3**  
 4000 K – Article number + **K4**

Colour graphite or silver  
 graphite – article number  
 silver – article number + **A**

**Light distribution**