

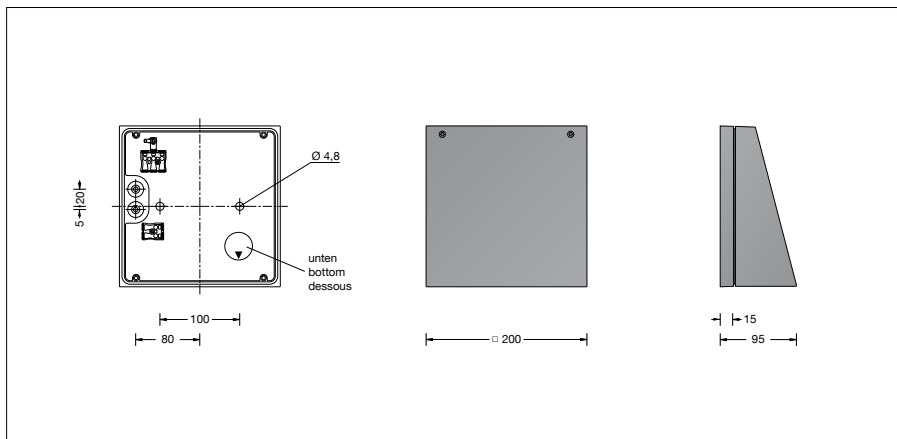
BEGA**33 242**

Wall luminaire



Project · Reference number

Date



Product data sheet

Product description

Luminaire made of aluminium alloy and stainless steel
 BEGA Unidure® coating technology
 Colour graphite or silver
 Matt safety glass
 Silicone gasket
 Reflector made of pure anodised aluminium
 2 mounting holes \varnothing 5 mm
 Distance apart 100 mm
 2 cable entries for through-wiring of mains supply cable \varnothing 7-10.5 mm, max. 5 G 1.5²
 Connecting terminal and earth conductor terminal 2.5²
 LED power supply unit
 220-240 V \sim 0/50-60 Hz
 DC 176-275 V
 DALI-controllable
 Number of DALI addresses: 1
 Basic insulation is provided between the mains and control cables
 BEGA Thermal Control®
 Temporary thermal regulation to protect temperature-sensitive components without switching off the luminaire
 Safety class I
 Protection class IP 65
 Dust-tight and protection against water jets
 Impact strength IK06
 Protection against mechanical impacts < 1 joule
 – Safety mark
 – Conformity mark
 Weight: 2.0 kg
 This product contains light sources of energy efficiency class(es) C

Application

Wall luminaire with directed light.
 A luminaire with concentrated light distribution downwards which additionally utilises the reflection properties of the mounting surface.

Dark Sky

The light of this luminaire is directed evenly and highly efficiently onto the surface to be illuminated. No light is emitted into the upper half-space of the luminaire.

Lamp

Module connected wattage 17.6 W
 Luminaire connected wattage 20.5 W
 Rated temperature $t_a = 25\text{ }^\circ\text{C}$
 Ambient temperature $t_{a\text{max}} = 50\text{ }^\circ\text{C}$

33 242 K3

Module designation LED-0313/830
 Colour temperature 3000 K
 Colour rendering index CRI > 80
 Module luminous flux 3340 lm
 Luminaire luminous flux 2446 lm
 Luminaire luminous efficiency 119,3 lm/W

33 242 K4

Module designation LED-0313/840
 Colour temperature 4000 K
 Colour rendering index CRI > 80
 Module luminous flux 3435 lm
 Luminaire luminous flux 2516 lm
 Luminaire luminous efficiency 122,7 lm/W

Service life · Ambient temperature

Rated temperature $t_a = 25\text{ }^\circ\text{C}$
 LED psu: > 50,000 h
 LED module: > 200,000 h (L80B50)
 100,000 h (L90B50)

Ambient temperature max. $t_a = 50\text{ }^\circ\text{C}$ (100 %)

LED psu: 50,000 h
 LED module: > 200,000 h (L80B50)
 100,000 h (L90B50)

Lighting technology

Luminaire data for the DIALux lighting design program for outdoor lighting, street lighting and indoor lighting, as well as luminaire data in EULUMDAT and IES format are available on the BEGA website at www.bega.com.

Ratio of luminous flux

Luminous flux upper half-space 0 %
 Luminous flux lower half-space 100 %

BUG rating according to IES TM-15-07:

2-0-0

CEN Flux Code according to EN 13032-2:

78-96-100-100-100

Inrush current

Inrush current: 5 A / 50 μ s

Maximum number of luminaires of this type per miniature circuit breaker:

B 10A: 31 luminaires

B 16A: 50 luminaires

C 10A: 52 luminaires

C 16A: 80 luminaires

Article No. 33 242

LED colour temperature optionally 3000 K or 4000 K

3000 K – Article number + **K3**

4000 K – Article number + **K4**

Colour graphite or silver

graphite – article number

silver – article number + **A**

Light distribution