

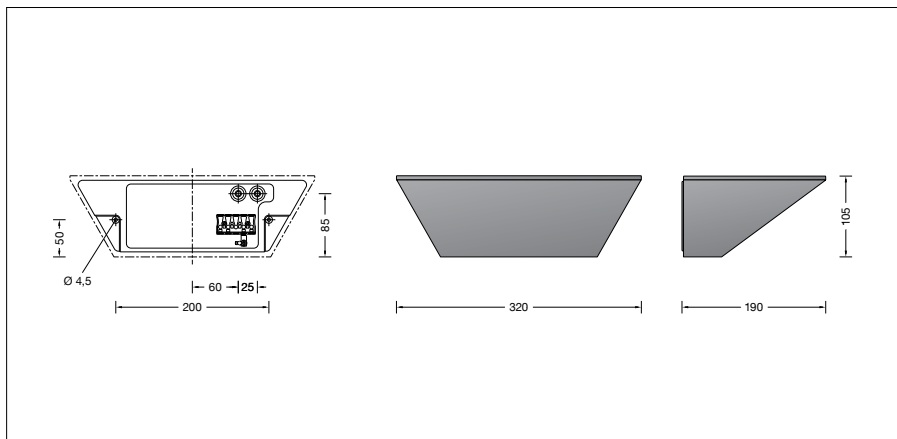
BEGA**24 361**

Wall washer



Project · Reference number

Date



Product data sheet

Product description

Luminaire made of aluminium alloy,
aluminium and stainless steel
BEGA Unidure® coating technology
Colour graphite, silver or white
Clear safety glass
Silicone gasket
Reflector made of pure anodised aluminium
2 mounting holes \varnothing 4.5 mm
Distance apart 200 mm
2 cable entries for through-wiring of mains
supply cable \varnothing 7-10.5 mm, max. 5 G 1.5[□]
Connecting terminal and
earth conductor terminal 2.5[□]
LED power supply unit
220-240 V \sim 0/50-60 Hz
DC 170-276 V
DALI-controllable
Number of DALI addresses: 1
Basic insulation is provided between the mains
and control cables
BEGA Thermal Control®
Temporary thermal regulation to protect
temperature-sensitive components without
switching off the luminaire
Safety class I
Protection class IP 65
Dust-tight and protection against water jets
Impact strength IK07
Protection against mechanical
impacts < 2 joule
 – Safety mark
 – Conformity mark
Weight: 2.6 kg
This product contains light sources of energy
efficiency class(es) D

Application

Wall washer with symmetrical light distribution
for the illumination of façades and wall surfaces
with the mounting surface being the reflection
surface.
The luminaire can be installed with the light
distribution opening upwards or downwards.

Dark Sky

For installation with light emission downwards,
the light from this luminaire is directed evenly
and highly efficiently onto the surface to be
illuminated. No light is emitted at all into the
upper half-space of the luminaire.

Lamp

| | |
|-----------------------------|--|
| Module connected wattage | 32.7 W |
| Luminaire connected wattage | 36.1 W |
| Rated temperature | $t_a = 25\text{ }^\circ\text{C}$ |
| Ambient temperature | $t_{a\text{max}} = 25\text{ }^\circ\text{C}$ |

24 361 K3

| | |
|-------------------------------|--------------|
| Module designation | LED-0609/830 |
| Colour temperature | 3000 K |
| Colour rendering index | CRI > 80 |
| Module luminous flux | 5540 lm |
| Luminaire luminous flux | 4755 lm |
| Luminaire luminous efficiency | 131,7 lm/W |

24 361 K4

| | |
|-------------------------------|--------------|
| Module designation | LED-0609/840 |
| Colour temperature | 4000 K |
| Colour rendering index | CRI > 80 |
| Module luminous flux | 5615 lm |
| Luminaire luminous flux | 4819 lm |
| Luminaire luminous efficiency | 133,5 lm/W |

Service life · Ambient temperature

| | |
|--|---------------------|
| Rated temperature $t_a = 25\text{ }^\circ\text{C}$ | |
| LED psu: | > 50,000 h |
| LED module: | 69,000 h (L80 B50) |
| | 100,000 h (L70 B50) |

Ambient temperature max. $t_a = 25\text{ }^\circ\text{C}$ (100 %)

| | |
|-------------|---------------------|
| LED psu: | 50,000 h |
| LED module: | 69,000 h (L80 B50) |
| | 100,000 h (L70 B50) |

Lighting technology

Luminaire data for the DIALux lighting design
program for outdoor lighting, street lighting
and indoor lighting, as well as luminaire data in
EULUMDAT and IES format are available on the
BEGA website at www.bega.com.

Inrush current

Inrush current: 10 A / 200 μs
Maximum number of luminaires of this
type per miniature circuit breaker:
B 10 A: 18 luminaires
B 16 A: 30 luminaires
C 10 A: 31 luminaires
C 16 A: 51 luminaires

Ratio of luminous flux

| | |
|--------------------------------|-------|
| Luminous flux upper half-space | 0 % |
| Luminous flux lower half-space | 100 % |

BUG rating according to IES TM-15-07:
2-0-0

CEN Flux Code according to EN 13032-2:
53-91-100-100-100

BEGA Constant Optics®

BEGA Constant Optics® is an efficient optical
system that is virtually impervious to wear and
tear. The durable materials used, including
glass, pure aluminium and silicone, show
no effects of ageing, even under extreme
conditions like high temperatures and UV
radiation.

Article No. 24 361

LED colour temperature optionally 3000K
or 4000K
3000 K – Article number + **K3**
4000 K – Article number + **K4**

Colour graphite or silver
graphite – article number
silver – article number + **A**

Article No. 24 361

LED colour temperature optionally 3000K
or 4000K
3000 K – Article number + **K3**
4000 K – Article number + **K4**

Colour optionally graphite, white or silver
Graphite – Article number
White – Article number + **W**
Silver – Article number + **A**

Light distribution

