

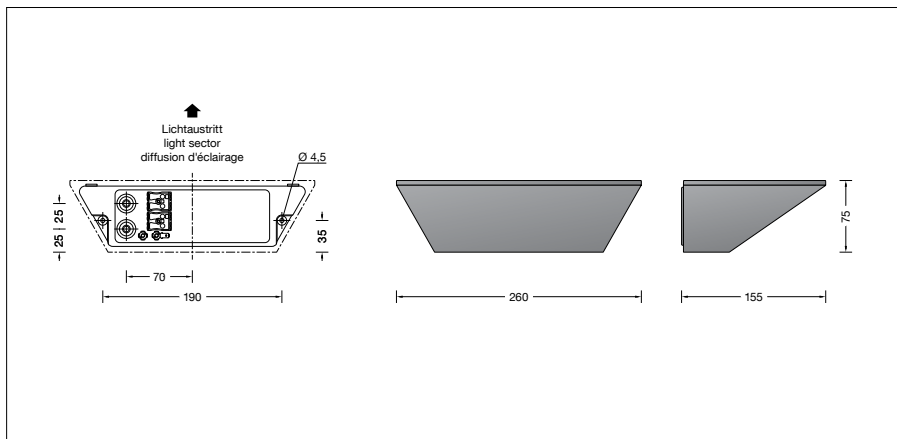
BEGA**33 360**

Wall washer

 IP 65

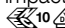
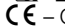
Project · Reference number

Date



Product data sheet

Product description

Luminaire made of aluminium alloy, aluminium and stainless steel
 BEGA Unidure® coating technology
 Colour graphite, silver or white
 Clear safety glass
 Silicone gasket
 Reflector made of pure anodised aluminium
 2 mounting holes \varnothing 4.5 mm
 Distance apart 190 mm
 2 cable entries for through-wiring of mains supply cable \varnothing 7-10.5 mm, max. 5 G 1.5[□]
 Connection terminal 2.5[□]
 Earth conductor connection
 2-pole connecting terminal for digital control
 LED power supply unit
 220-240 V \sim 0/50-60 Hz
 DC 176-280 V
 DALI-controllable
 Number of DALI addresses: 1
 Basic insulation is provided between the mains and control cables
 BEGA Thermal Control®
 Temporary thermal regulation to protect temperature-sensitive components without switching off the luminaire
 Safety class I
 Protection class IP 65
 Dust-tight and protection against water jets
 Impact strength IK07
 Protection against mechanical impacts < 2 joule
 – Safety mark
 – Conformity mark
 Weight: 1.6 kg
 This product contains light sources of energy efficiency class(es) C, D

Application

Wall washer with symmetrical light distribution for the illumination of façades and wall surfaces with the mounting surface being the reflection surface.
 The luminaire can be installed with the light distribution opening upwards or downwards.

Lamp

Module connected wattage	16.2 W
Luminaire connected wattage	19 W
Rated temperature	$t_a = 25 \text{ }^\circ\text{C}$
Ambient temperature	$t_{a \text{ max}} = 35 \text{ }^\circ\text{C}$

On request we can offer you modifications for environments with higher temperatures as a customized product.

33 360 K3

Module designation	LED-0590/830
Colour temperature	3000 K
Colour rendering index	CRI > 80
Module luminous flux	2795 lm
Luminaire luminous flux	2106 lm
Luminaire luminous efficiency	110,8 lm/W

33 360 K4

Module designation	LED-0590/840
Colour temperature	4000 K
Colour rendering index	CRI > 80
Module luminous flux	2835 lm
Luminaire luminous flux	2136 lm
Luminaire luminous efficiency	112,4 lm/W

Service life · Ambient temperature

Rated temperature $t_a = 25 \text{ }^\circ\text{C}$	
LED psu:	> 50,000 h
LED module:	154,000 h (L 80 B 50)

Ambient temperature max. $t_a = 35 \text{ }^\circ\text{C}$ (100 %)

LED psu:	50,000 h
LED module:	83,000 h (L 80 B 50) 100,000 h (L 70 B 50)

Dark Sky

For installation with light emission downwards, the light from this luminaire is directed evenly and highly efficiently onto the surface to be illuminated. No light is emitted at all into the upper half-space of the luminaire.

Lighting technology

Luminaire data for the DIALux lighting design program for outdoor lighting, street lighting and indoor lighting, as well as luminaire data in EULUMDAT and IES format are available on the BEGA website at www.bega.com.

Inrush current

Inrush current: 5 A / 50 μ s
 Maximum number of luminaires of this type per miniature circuit breaker:
 B 10A: 31 luminaires
 B 16A: 50 luminaires
 C 10A: 52 luminaires
 C 16A: 85 luminaires

BEGA Constant Optics®

BEGA Constant Optics® is an efficient optical system that is virtually impervious to wear and tear. The durable materials used, including glass, pure aluminium and silicone, show no effects of ageing, even under extreme conditions like high temperatures and UV radiation.

Article No. 33 360

LED colour temperature optionally 3000K or 4000K
 3000 K – Article number + **K3**
 4000 K – Article number + **K4**

Colour optionally graphite, white or silver
 Graphite – Article number
 White – Article number + **W**
 Silver – Article number + **A**

Light distribution

