

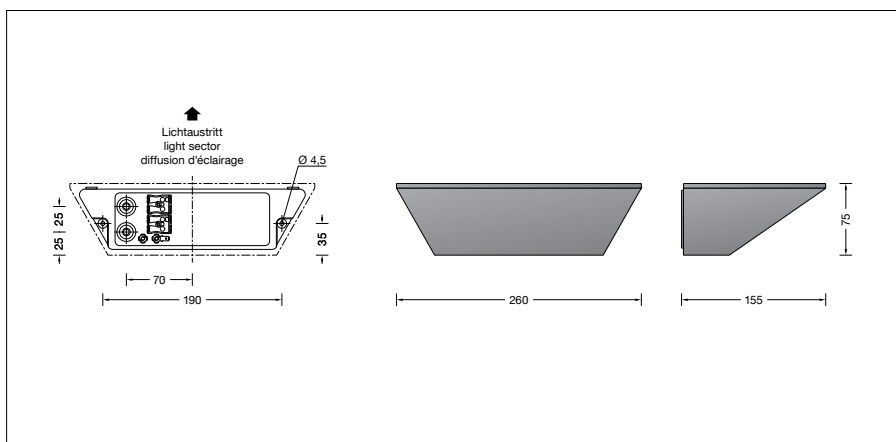
**BEGA****33 361**

Wall washer



Project · Reference number

Date



## Product data sheet

### Product description

Luminaire made of aluminium alloy, aluminium and stainless steel  
 BEGA Unidure® coating technology  
 Colour graphite, silver or white  
 Clear safety glass  
 Silicone gasket  
 Reflector made of pure anodised aluminium  
 2 mounting holes  $\varnothing$  4.5 mm  
 Distance apart 190 mm  
 2 cable entries for through-wiring of mains supply cable  $\varnothing$  7-10.5 mm, max. 5 G 1.5<sup>2</sup>  
 Connection terminal 2.5<sup>2</sup>  
 Earth conductor connection  
 2-pole connecting terminal for digital control  
 LED power supply unit  
 220-240 V  $\sim$  0/50-60 Hz  
 DC 176-280 V  
 DALI-controllable  
 Number of DALI addresses: 1  
 Basic insulation is provided between the mains and control cables  
 BEGA Thermal Control®  
 Temporary thermal regulation to protect temperature-sensitive components without switching off the luminaire  
 Safety class I  
 Protection class IP 65  
 Dust-tight and protection against water jets  
 Impact strength IK07  
 Protection against mechanical impacts < 2 joule  
 – Safety mark  
 – Conformity mark  
 Weight: 1.6 kg  
 This product contains light sources of energy efficiency class(es) C, D

### Application

Wall washer with asymmetrical light distribution for illuminating wall, ceiling and floor surfaces. The luminaire can be installed with the light distribution opening upwards or downwards.

### Dark Sky

For installation with light emission downwards, the light from this luminaire is directed evenly and highly efficiently onto the surface to be illuminated. No light is emitted at all into the upper half-space of the luminaire.

### Lamp

Module connected wattage	16.2 W
Luminaire connected wattage	19 W
Rated temperature	$t_a = 25\text{ }^\circ\text{C}$
Ambient temperature	$t_{a\text{max}} = 35\text{ }^\circ\text{C}$

On request we can offer you modifications for environments with higher temperatures as a customized product.

### 33 361 K3

Module designation	LED-0590/830
Colour temperature	3000 K
Colour rendering index	CRI > 80
Module luminous flux	2795 lm
Luminaire luminous flux	2321 lm
Luminaire luminous efficiency	122,2 lm/W

### 33 361 K4

Module designation	LED-0590/840
Colour temperature	4000 K
Colour rendering index	CRI > 80
Module luminous flux	2835 lm
Luminaire luminous flux	2354 lm
Luminaire luminous efficiency	123,9 lm/W

### Service life · Ambient temperature

Rated temperature $t_a = 25\text{ }^\circ\text{C}$	
LED psu:	> 50,000 h
LED module:	175,000 h (L80 B50) 100,000 h (L90 B50)

Ambient temperature max.  $t_a = 35\text{ }^\circ\text{C}$  (100 %)

LED psu:	50,000 h
LED module:	94,000 h (L80 B50) 100,000 h (L70 B50)

### Lighting technology

Luminaire data for the DIALux lighting design program for outdoor lighting, street lighting and indoor lighting, as well as luminaire data in EULUMDAT and IES format are available on the BEGA website at [www.bega.com](http://www.bega.com).

### Inrush current

Inrush current: 5 A / 50  $\mu$ s  
 Maximum number of luminaires of this type per miniature circuit breaker:  
 B 10A: 31 luminaires  
 B 16A: 50 luminaires  
 C 10A: 52 luminaires  
 C 16A: 85 luminaires

### Ratio of luminous flux

Luminous flux upper half-space	0 %
Luminous flux lower half-space	100 %

BUG rating according to IES TM-15-07:

1-0-1

CEN Flux Code according to EN 13032-2:

29-66-94-100-100

### BEGA Constant Optics®

BEGA Constant Optics® is an efficient optical system that is virtually impervious to wear and tear. The durable materials used, including glass, pure aluminium and silicone, show no effects of ageing, even under extreme conditions like high temperatures and UV radiation.

### Article No. 33 361

LED colour temperature optionally 3000K or 4000K

3000 K – Article number + **K3**

4000 K – Article number + **K4**

Colour optionally graphite, white or silver

Graphite – Article number

White – Article number + **W**

Silver – Article number + **A**

### Light distribution

