

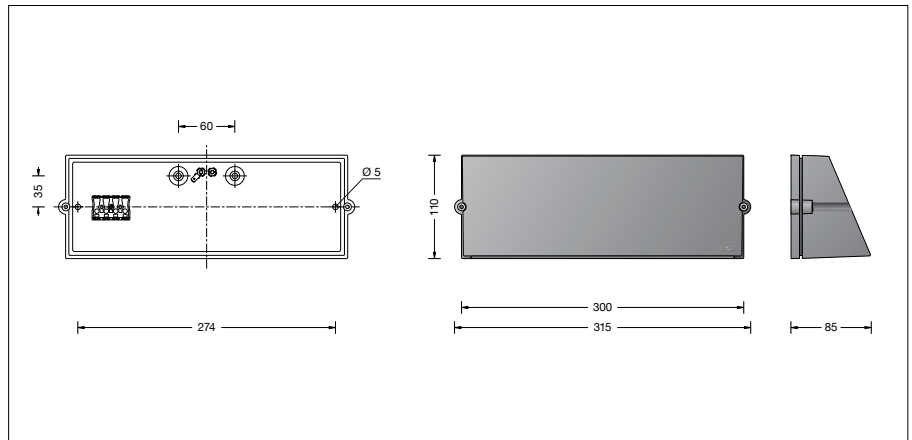
BEGA**24 374**

Wall luminaire



Project · Reference number

Date



Product data sheet

Product description

Luminaire made of aluminium alloy, aluminium and stainless steel
 BEGA Unidure® coating technology
 Colour graphite or silver
 Matt safety glass
 Silicone gasket
 2 mounting holes \varnothing 5 mm
 Distance apart 274 mm
 2 cable entries for through-wiring of mains supply cable \varnothing 7-10.5 mm, max. 5 G 1.5[□]
 Connection terminal 2.5[□]
 Earth conductor connection
 LED power supply unit
 220-240 V \sim 0/50-60 Hz
 DALI-controllable
 Number of DALI addresses: 1
 Basic insulation is provided between the mains and control cables
 BEGA Thermal Control®
 Temporary thermal regulation to protect temperature-sensitive components without switching off the luminaire
 Safety class I
 ⚡ Ballproof – The testing of ball impact safety was carried out exclusively with handballs in accordance with DIN 18032-3: 2018-11.
 Protection class IP 65
 Dust-tight and protection against water jets
 Impact strength IK07
 Protection against mechanical impacts < 2 joule
 ⚡ – Safety mark
 CE – Conformity mark
 Weight: 1.6 kg
 This product contains light sources of energy efficiency class(es) C

Application

Wall luminaire with directed light.

Dark Sky

The light of this luminaire is directed evenly and highly efficiently onto the surface to be illuminated. No light is emitted into the upper half-space of the luminaire.

Lamp

Module connected wattage 12 W
 Luminaire connected wattage 14.5 W
 Rated temperature $t_a = 25\text{ °C}$
 Ambient temperature $t_{a\text{max}} = 50\text{ °C}$

24 374 K3

Module designation LED-0519/830
 Colour temperature 3000 K
 Colour rendering index CRI > 80
 Module luminous flux 2095 lm
 Luminaire luminous flux 1182 lm
 Luminaire luminous efficiency 81,5 lm/W

24 374 K4

Module designation LED-0519/840
 Colour temperature 4000 K
 Colour rendering index CRI > 80
 Module luminous flux 2125 lm
 Luminaire luminous flux 1199 lm
 Luminaire luminous efficiency 82,7 lm/W

Service life · Ambient temperature

Rated temperature $t_a = 25\text{ °C}$
 LED psu: > 50,000 h
 LED module: > 200,000 h (L80B50)
 100,000 h (L90B50)

Ambient temperature max. $t_a = 50\text{ °C}$ (100 %)

LED psu: 50,000 h
 LED module: 170,000 h (L80B50)

Inrush current

Inrush current: 16 A / 100 μ s
 Maximum number of luminaires of this type per miniature circuit breaker:
 B 10A: 25 luminaires
 B 16A: 40 luminaires
 C 10A: 40 luminaires
 C 16A: 65 luminaires

Lighting technology

Luminaire data for the DIALux lighting design program for outdoor lighting, street lighting and indoor lighting, as well as luminaire data in EULUMDAT and IES format are available on the BEGA website at www.bega.com.

Ratio of luminous flux

Luminous flux upper half-space 0 %
 Luminous flux lower half-space 100 %

BUG rating according to IES TM-15-07:

1-0-0

CEN Flux Code according to EN 13032-2:
 59-89-99-100-100

Article No. 24 374

LED colour temperature optionally 3000 K or 4000 K
 3000 K – Article number + **K3**
 4000 K – Article number + **K4**

Colour graphite or silver
 graphite – article number
 silver – article number + **A**

Light distribution

