


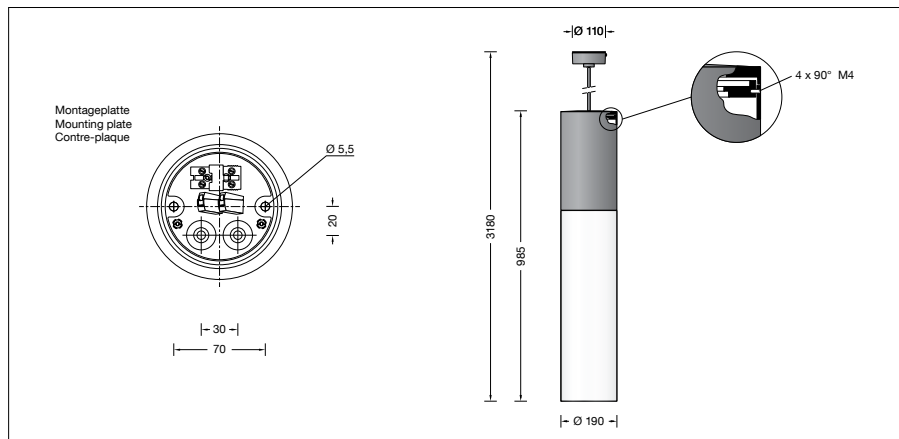
BEGA**24 508**

Pendant luminaire

 05 IP 65



Project · Reference number

Date



Product data sheet

Product description

Luminaire made of aluminium alloy, aluminium and stainless steel
 BEGA Unidure® coating technology
 Colour graphite
 Synthetic diffuser, clear
 Reflector made of pure anodised aluminium
 4 drilled holes with thread M4 to which tension cables preventing pendulum movement can be fixed
 Mounting plate with 2 fixing holes \varnothing 5.5 mm · 70 mm spacing
 2 cable entries for through-wiring of mains supply cable \varnothing 7-10.5 mm, max. 5 G 1.5²
 Cable pendant H05RN-F 5 G 1² with 2 steel cords · Colour black
 Connecting terminal 2.5² with plug connection
 Earth conductor connection
 BEGA Ultimate Driver®
 LED power supply unit
 220-240 V \sim 0/50-60 Hz
 DC 176-264 V
 DALI-controllable
 Number of DALI addresses: 1
 Basic insulation is provided between the mains and control cables
 BEGA Thermal Control®
 Temporary thermal regulation to protect temperature-sensitive components without switching off the luminaire
 Safety class I
 Protection class IP 65
 Dust-tight and protection against water jets
 Impact strength IK07
 Protection against mechanical impacts < 2 joule
 05 – Safety mark
 – Conformity mark
 Weight: 7.0 kg
 This product contains light sources of energy efficiency class(es) C

Application

Pendant with symmetrical broad spread light distribution for mounting in arcades, galleries and passageways.
 An integral reflector unit directs the light downwards in a rotationally symmetrical wide beam.
 When installed in exterior applications, the luminaire must be protected from constant pendulum movement due to wind.

Lamp

Module connected wattage	35.3 W
Luminaire connected wattage	39 W
Rated temperature	$t_a = 25\text{ }^\circ\text{C}$
Ambient temperature	$t_{a\text{max}} = 35\text{ }^\circ\text{C}$

24 508 K3

Module designation	LED-0770/830
Colour temperature	3000 K
Colour rendering index	CRI > 80
Module luminous flux	6675 lm
Luminaire luminous flux	4724 lm
Luminaire luminous efficiency	121,1 lm/W

24 508 K4

Module designation	LED-0770/840
Colour temperature	4000 K
Colour rendering index	CRI > 80
Module luminous flux	6865 lm
Luminaire luminous flux	4859 lm
Luminaire luminous efficiency	124,6 lm/W

Lighting technology

Luminance data for the DIALux lighting design program for outdoor lighting, street lighting and indoor lighting, as well as luminaire data in EULUMDAT and IES format are available on the BEGA website at www.bega.com.

Inrush current

Inrush current: 5 A / 100 μ s
 Maximum number of luminaires of this type per miniature circuit breaker:
 B 10A: 28 luminaires
 B 16A: 45 luminaires
 C 10A: 28 luminaires
 C 16A: 48 luminaires

Service life · Ambient temperature

Rated temperature $t_a = 25\text{ }^\circ\text{C}$	
LED psu:	> 50,000 h
LED module:	> 200,000 h (L 80 B 50) 100,000 h (L 90 B 50)

Ambient temperature max. $t_a = 35\text{ }^\circ\text{C}$ (100 %)	
LED psu:	50,000 h
LED module:	> 200,000 h (L 80 B 50) 100,000 h (L 90 B 50)

Ambient temperature max. $t_a = 50\text{ }^\circ\text{C}$ (70 %)	
LED psu:	> 50,000 h
LED module:	> 50,000 h (L 70 B 50)

BEGA Thermal Control® protects temperature-sensitive luminaire components by temporarily limiting the nominal power at high temperatures.

Ratio of luminous flux

Luminous flux upper half-space	1 %
Luminous flux lower half-space	99 %

BUG rating according to IES TM-15-07:
2-2-1

CEN Flux Code according to EN 13032-2:
29-65-98-99-100-16-22-64-1

Article No. 24 508

LED colour temperature optionally 3000 K or 4000 K
 3000 K – Article number + **K3**
 4000 K – Article number + **K4**

Light distribution