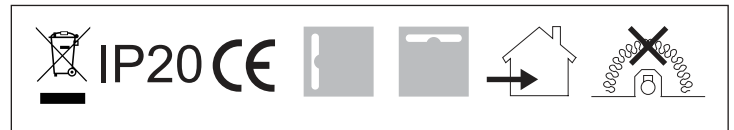
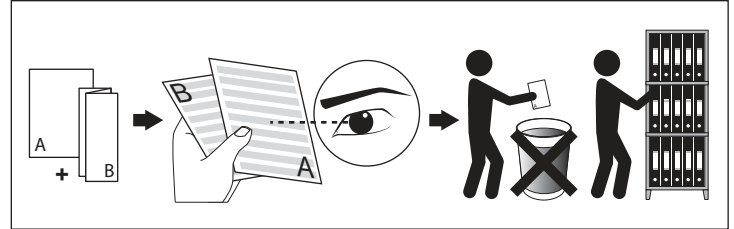


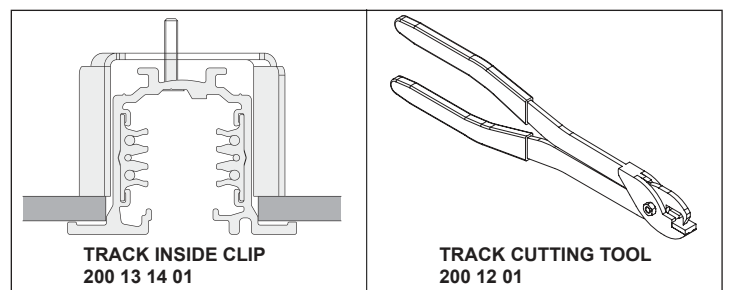
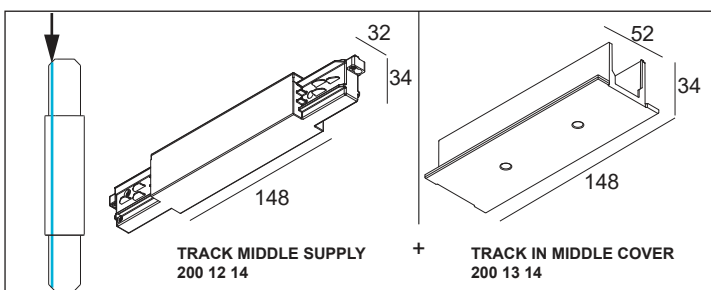
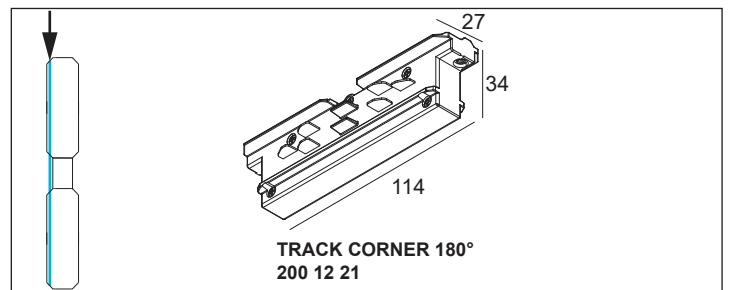
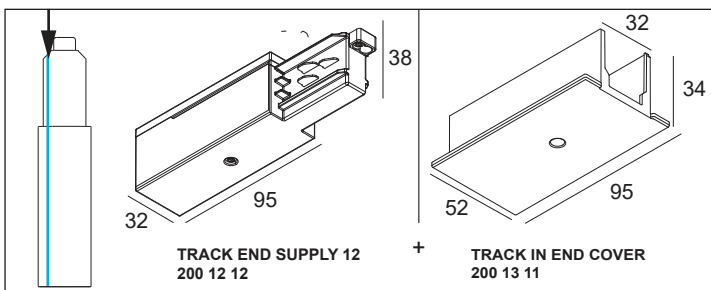
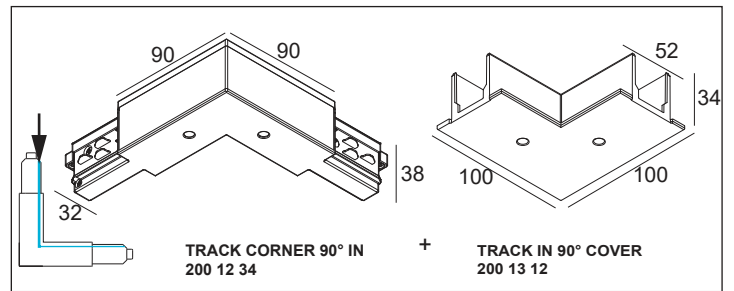
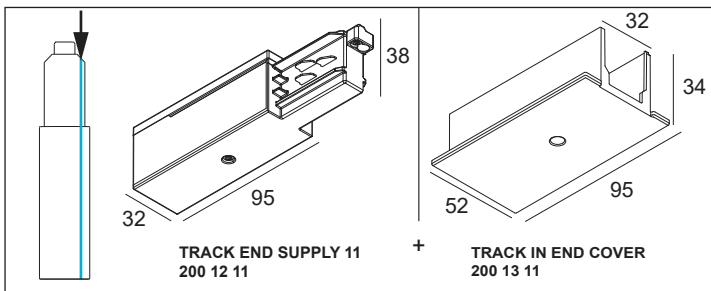
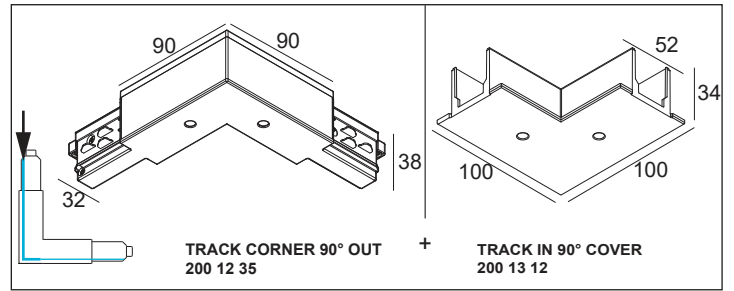
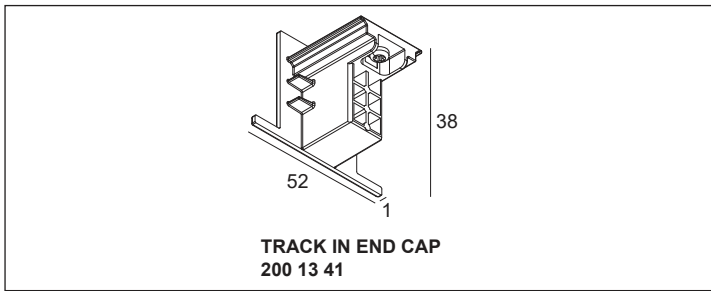
**TRACK 3F DIM IN**

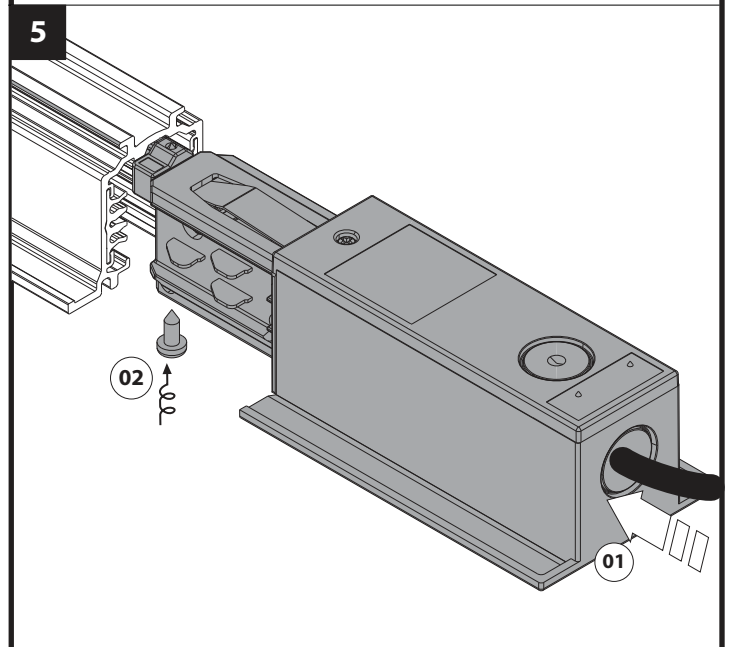
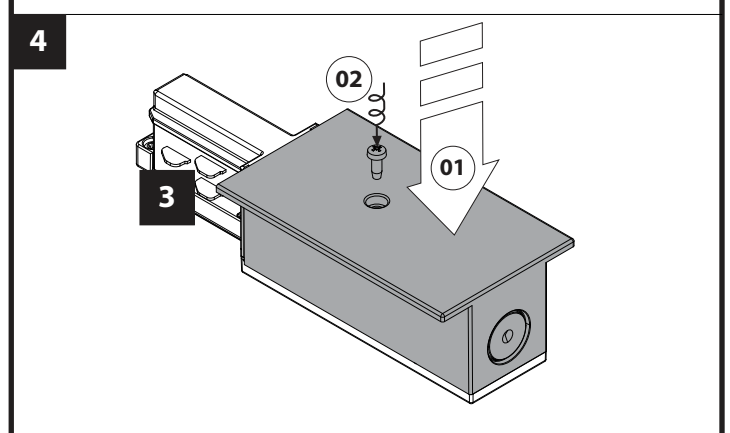
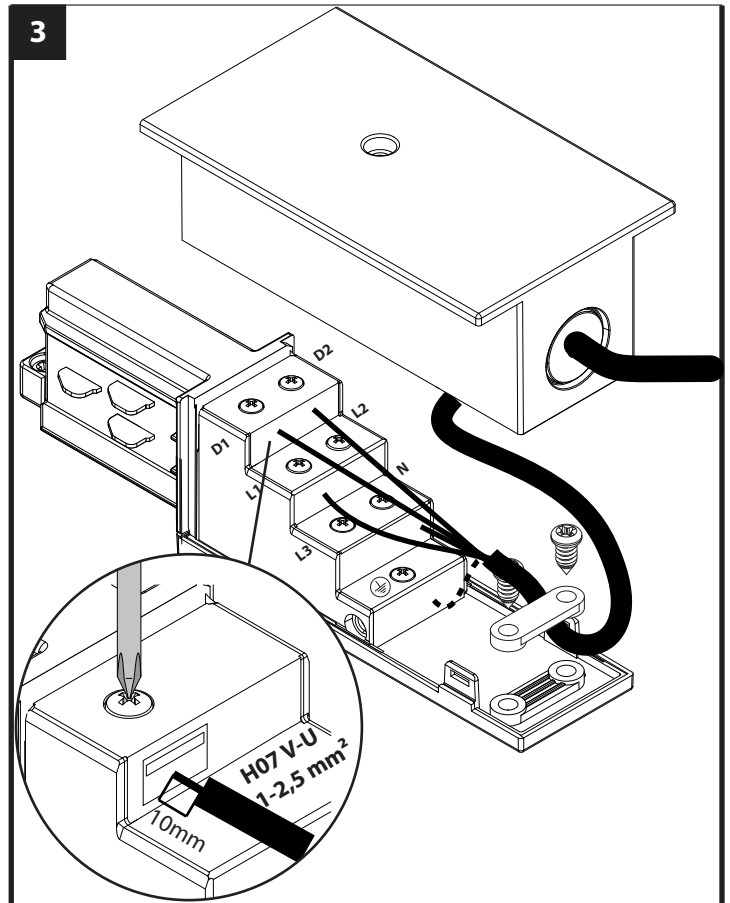
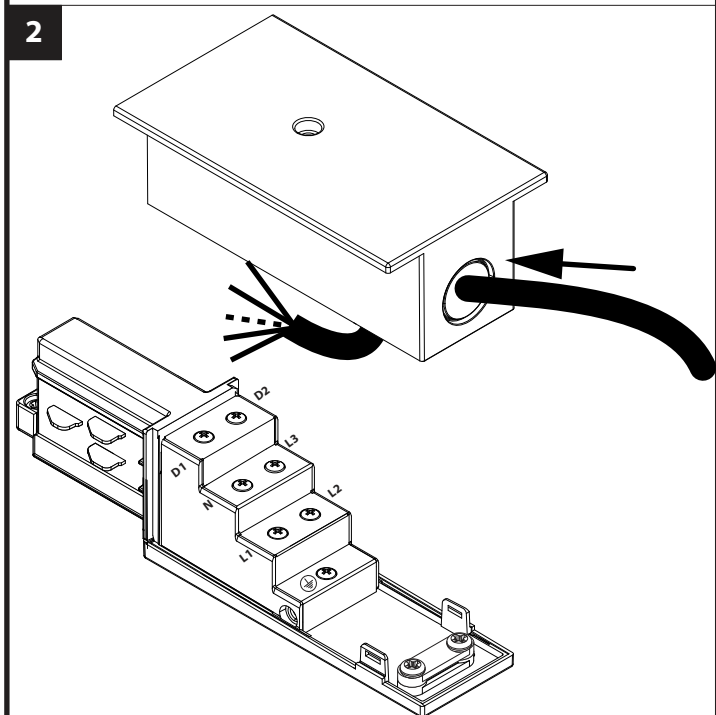
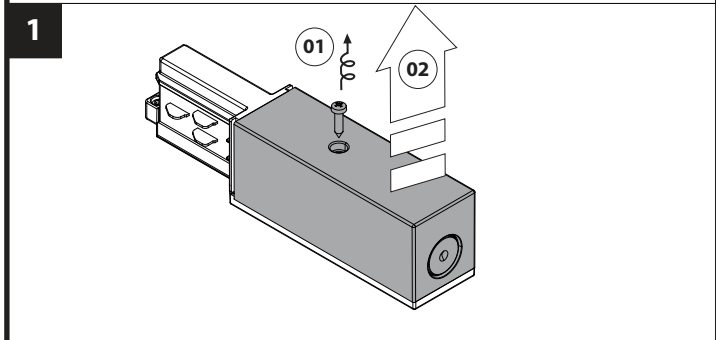
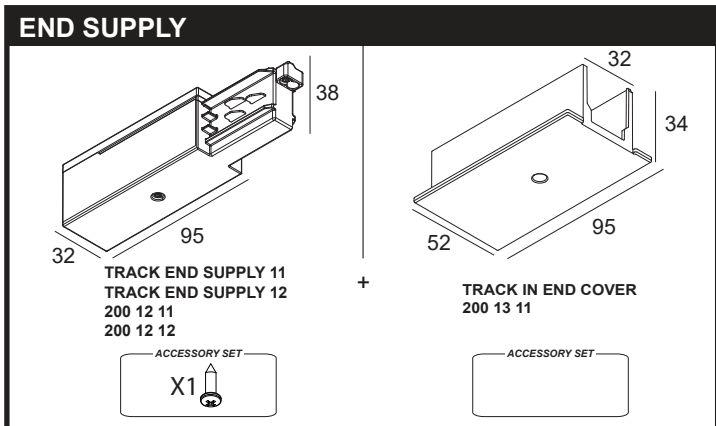
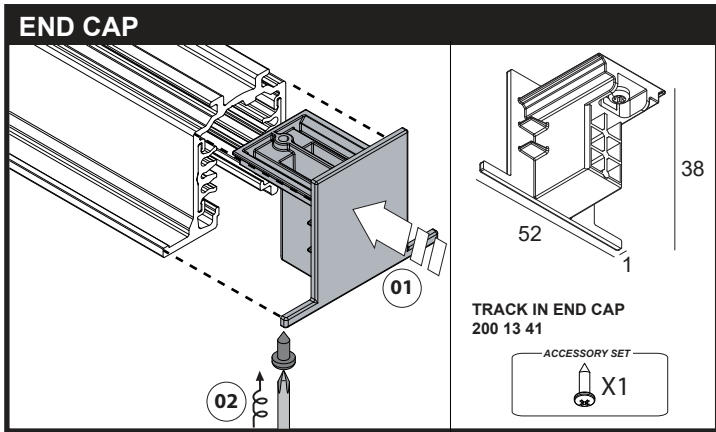
DEEL  
PARTIE  
TEIL  
PART  
PARTE  
PARTE

**A**




Beschermde tegen vaste voorwerpen die groter zijn dan 12 mm  
 Protégé contre les objets solides de plus de 12 mm  
 Geschützt gegen Festkörper größer als 12 mm  
 Protected against solid objects greater than 12 mm  
 Protegido contra objetos sólidos superiores a 12 mm  
 Protetto contro oggetti solidi più grandi di 12 mm

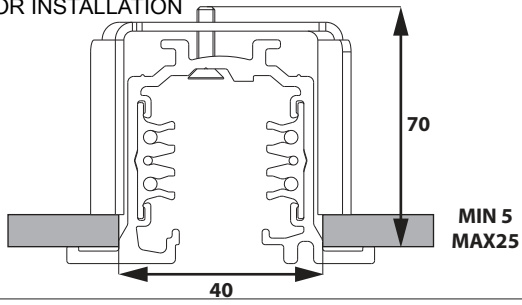




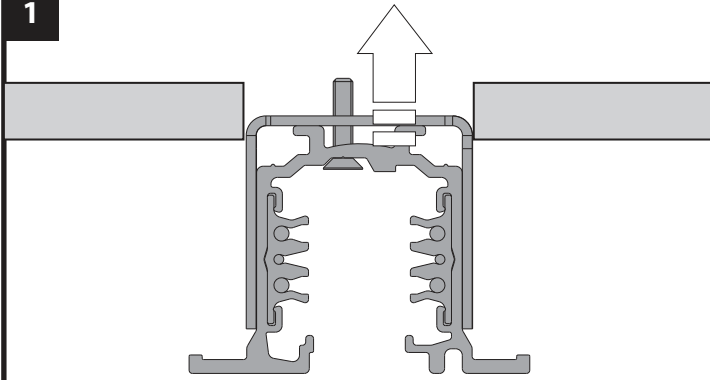
**INSTALLATION**

 40 x (L + ENDCAP / SUPPLY / CORNERS) x 70

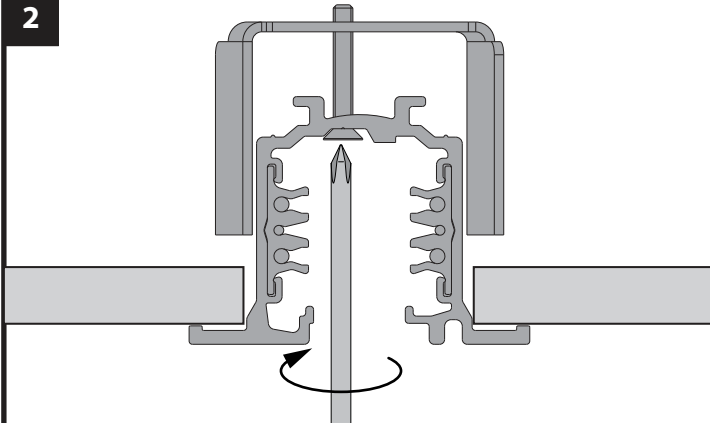
POSITION FOR INSTALLATION



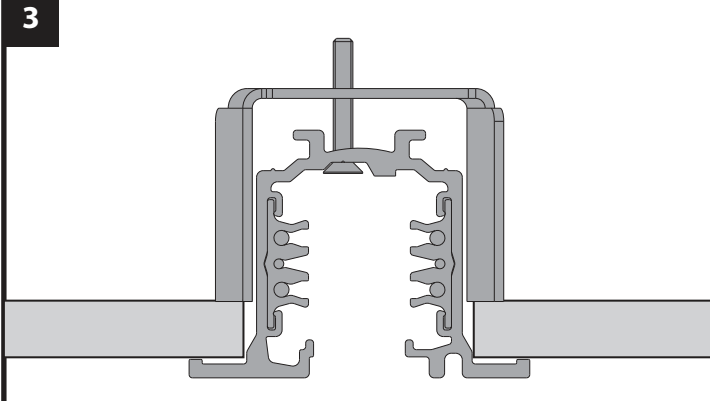
1



2



3



- Max load per meter: 25kg/m
- First fixation point max 250mm from ends
- To be able to hold 25kg/m, maximal interdistance between 2 fixation points  $\leq 600\text{mm}$   
When load is reduced to  $< 10\text{kg/m}$ , interdistance can be increased to  $\leq 900\text{mm}$