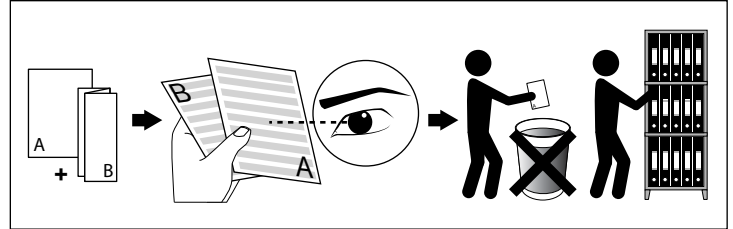


SHL19 - PROFILE

DEEL
PARTIE
TEIL
PART
PARTE
PARTE

A



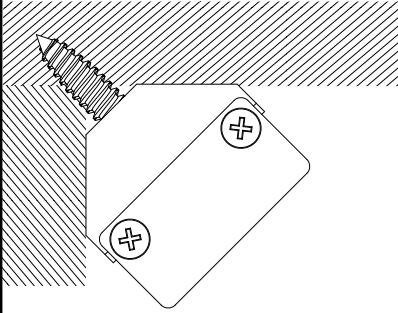
-FOR LEDFLEX IN, MAX 22W/m, MAX WIDTH 12mm
-NOT IN COMBINATION WITH LEDLFEX CABLE SET
OR LEDFLEX CONNECTION SET

FINISH	
	SHL19 - PC CLEAR 398 03 05 CL
	SHL19 - PC SBL 398 03 05 SBL

END CAP	
	SHL19 - END CAP SET 398 03 03 01

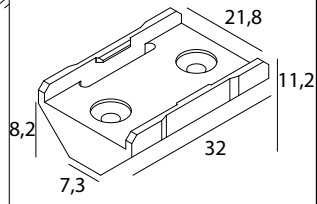
INSTALLATION	
<p>POSITION FOR INSTALLATION</p>	<p>SHL19 - MOUNTING CLIP SET 398 03 06 11</p>
<p>1</p>	
<p>2</p>	

POSITION FOR INSTALLATION

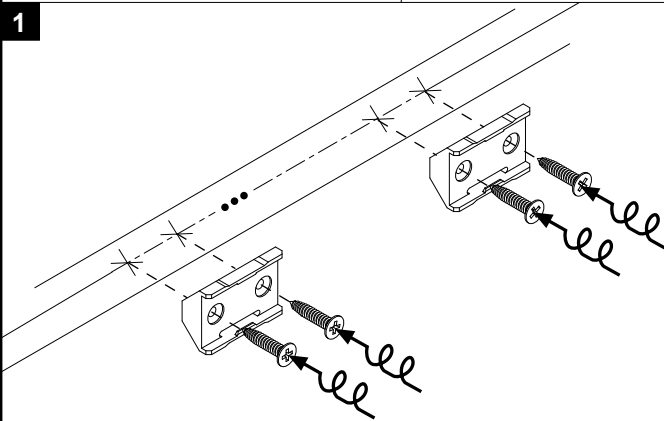


SHL19 -
MOUNTING CLIP SET

398 03 06 45



1



2

