

# FLOS

FA218

**Power supply 13 x 2W/ 110÷240V - Iout 500mA  
(7x2W@110V) IP67 Class II Selv. Dimmable Push-Dimm Or 1.10V**



Are you a professional and your project needs consulting and support?

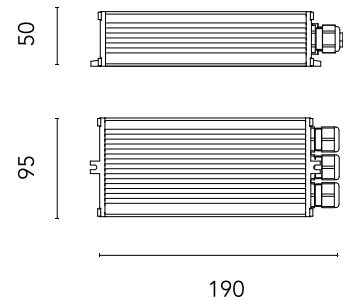
[BOOK AN APPOINTMENT](#)

## Main specifications

Icos  No

## Physical

Trim  No



## Electrical

Emergency type  No