



WEVER & DUCRÉ
LIGHTING

BLINK TRIM 1.0

721161B5

Project

Type

Notes

Quantity

Date

GENERAL

Floor , Recessed

Black Matt

RAL 9005^a

IP65

IK08

Exterior

Output: 410 lm

CIE flux code: 96 99 100 100 100

LED

3000 K

CRI ≥ 90

L80 / 50000h

2 SDCM

OPTICAL

Flood , Beam angle 30°

ELECTRICAL

excl. driver

9 V

LED Inset 4.2 W

Class 3

500 mA

PHYSICAL

Diameter 62 mm

Height 57 mm

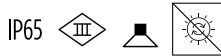
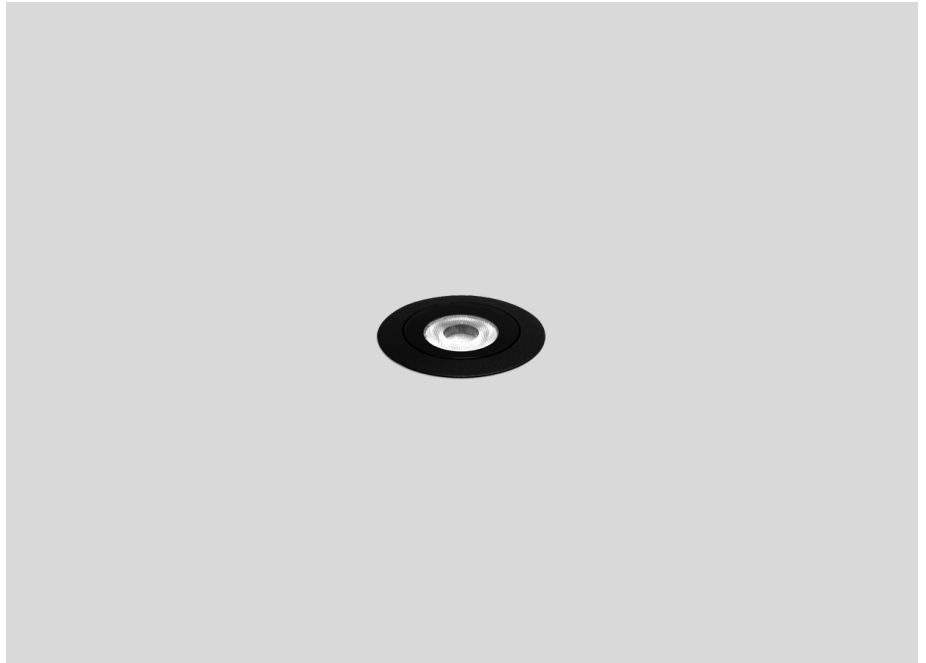
0.34 kg

CUTOUT

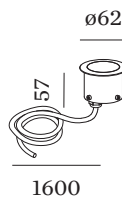
Diameter 47-49 mm

Recessed depth 63 mm

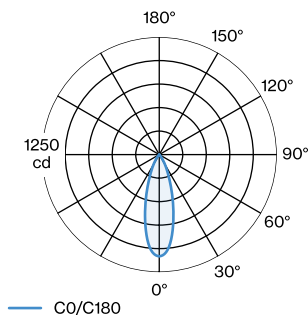
^a Color may deviate slightly due to production conditions.



Round floor recessed luminaire made from aluminium and glass; with trim; surface Black Matt; RAL 9005; recessed depth 63 mm; with COB (Chip on Board) technology for maximum efficiency; light colour 3000 K; binning initial MacAdam ≤ 2 SDCM; CRI ≥ 90; beam angle 30°; degree of protection IP65; PC3; driver not included; optional recessed ground housing available; light source not replaceable;



LIGHT DISTRIBUTION



[721161B5] The technical data represent rated values for an ambient temperature of 25°C. The data values for the luminous flux are initially subject to a tolerance of +/- 10%, those for the electrical connected load are initially subject to a tolerance of +/- 10%, and those for the colour temperature are initially subject to a tolerance of +/- 150 K. No liability is assumed for typographical or printing errors. The general terms and conditions of Wever & Ducré apply.
© Wever & Ducré BV · Spinnerijstraat 99/21 · 8500 Kortrijk · Belgium · www.weverducre.com



WEVER & DUCRÉ
LIGHTING

BLINK TRIM 1.0

721161B5

CONE DIAGRAM

flood 32°

h (m)	EO° (lx)	ø (m)
1	1080	0.56
2	270	1.13
3	120	1.69
4	70	2.26
5	40	2.82

ELECTRICAL

Driver

TYPE	L · W · H (MM)	VOLTAGE	ORDERCODE
7W 500mA 5-14,5V IP67	57 · 41 · 24	5-14,5V	9 0 2 1 4 3 0 1
6.5W 500mA 7-13V phase-cut dim	122 · 41 · 23	7-13V	9 0 2 2 4 3 0 1

MOUNTING

Ground Housing

TYPE	Ø · H (MM)	ORDERCODE
MAP 0.6 CHART 0.6 BLINK TRIM TRIM- LESS	ø132 · 105	9 0 0 1 2 2 0 1