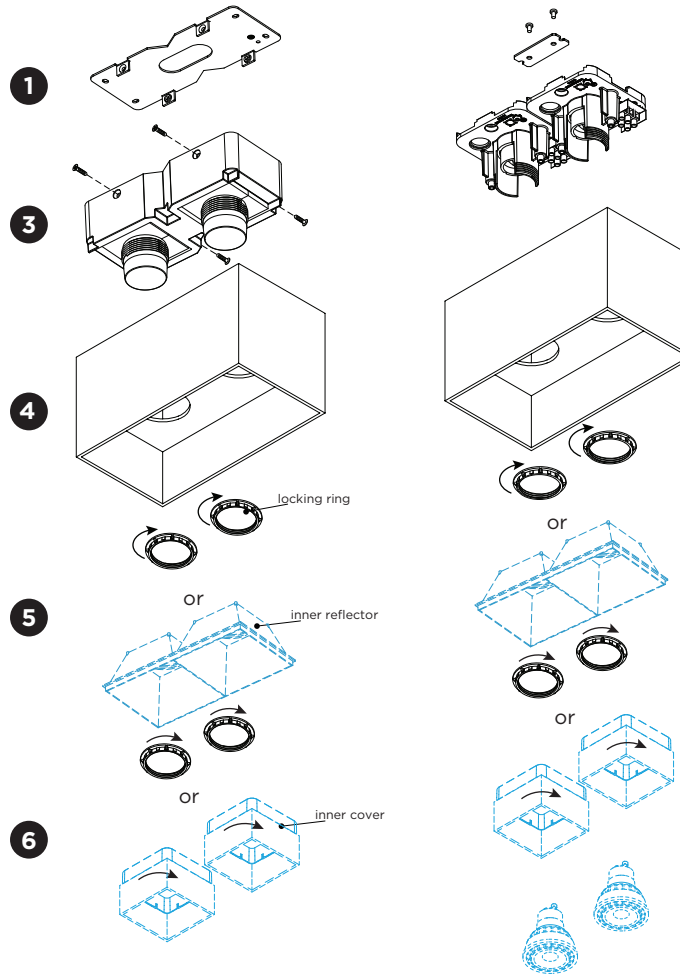


BOX CEILING

INSTALLATION INSTRUCTIONS | AUGUST 2023

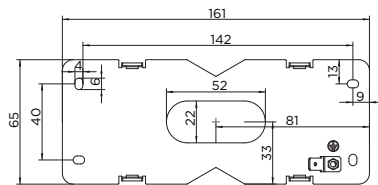
2.0 LED
Double LED module.

2.0 PAR16
Two bases are connected together by means of a spacer bracket.

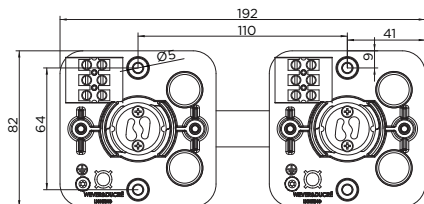


base plate dimensions

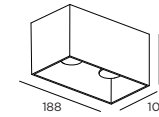
2.0 LED



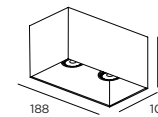
2.0 PAR16



DIMENSIONS



2.0 LED



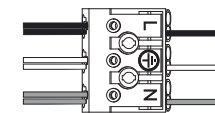
2.0 PAR16

MOUNTING INSTRUCTION

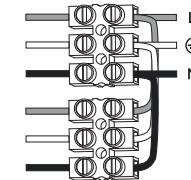
- FOR 2.0 LED**
Remove the mounting base plate from the LED module by loosening the socket screws and mount it on the ceiling with screws (screws are not included).

- FOR 2.0 PAR16**
Attach both bases to each other by using the bracket and screws (supplied with the cover), and mount them on the ceiling with screws (screws are not included).

- POWER CONNECTION**
Connect to 220-240V.
for LED



for PAR16



- FOR 2.0 LED**
Attach the double LED module on the base plate with the socket screws.

- Attach the cover to the luminaire base by screwing the locking rings.

- OPTIONAL inner reflector**
Attach the reflector to the box cover by screwing the locking ring.
With inner reflector: **max. 10W**

- OPTIONAL inner cover**
Put the inner cover in the outer cover by screwing.
With inner cover: **max. 10W**

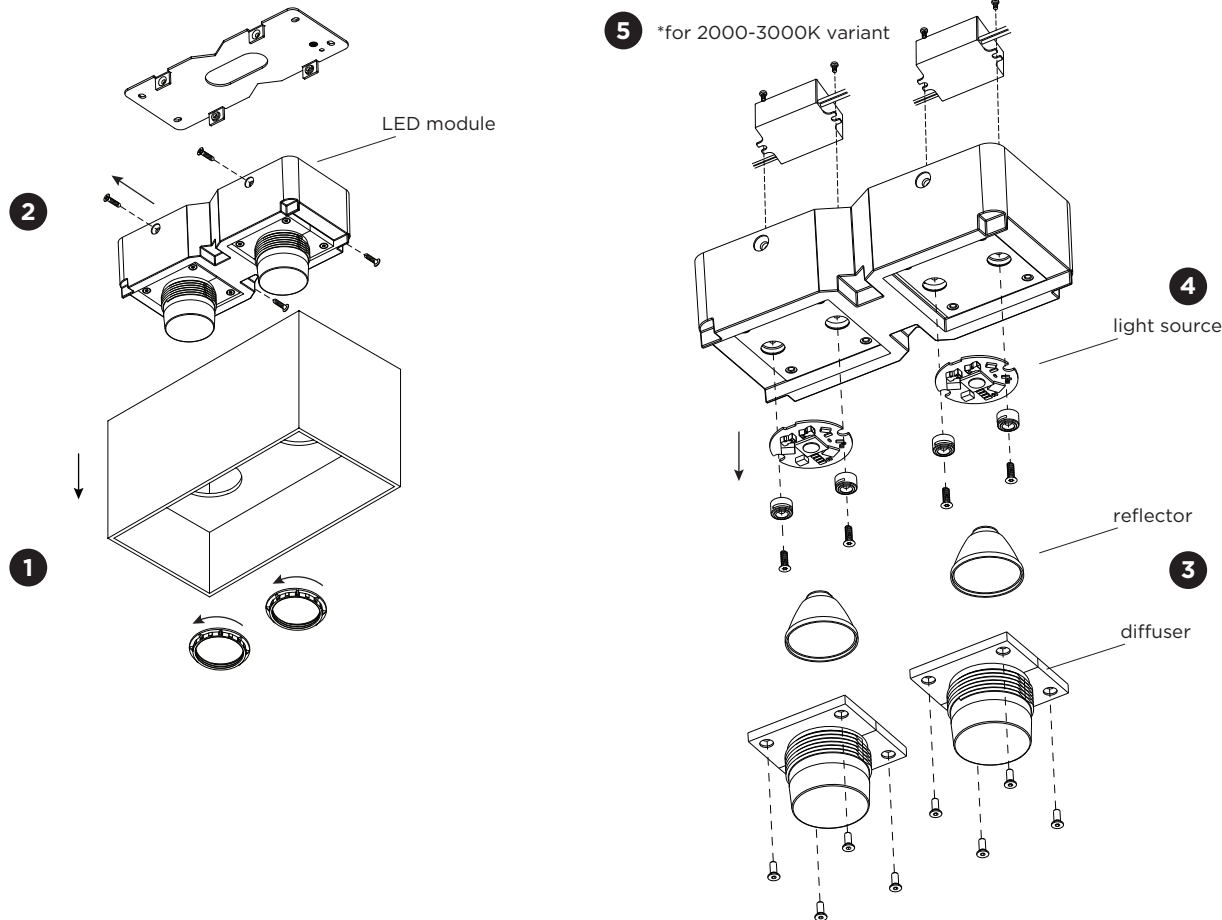


WEVER & DUCRÉ
LIGHTING

WEVER & DUCRÉ BV
Spinnerijstraat 99/21, 8500 Kortrijk, Belgium
weverducre.com

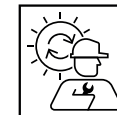
BOX CEILING

INSTALLATION INSTRUCTIONS | AUGUST 2023



DISMOUNTING AND RECYCLING INSTRUCTIONS only for 1.0 LED Light source & driver*

- 1 Unscrew the locking rings and remove the cover.
- 2 Remove the two socket screws and disconnect the wires to dismantle the LED module from the base.
- 3 Loosen the screws and remove the diffuser(s) and reflector(s).
- 4 Disconnect the wires, loosen the screws and remove the light source(s).
- 5 *For 2000-3000K variant:
Loosen the wires and unscrew the driver(s) to remove it/them.



The light source is replaceable by an authorized professional.
For advice contact your Wever & Ducré customer service contact point.



The driver can be replaced by the end user.*

This luminaire contains a light source with the corresponding energy class:

colour temperature	Energy class
3000K	A ↑ G D
2700K 2000-3000K	A ↑ G F

*only applicable on the 2000-3000K variant