

# FLOS

F011D20A055 Polished Stainless Steel

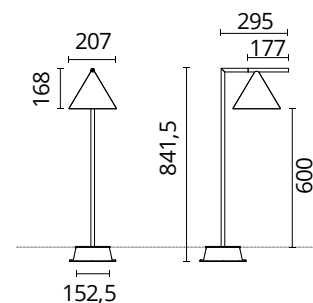
## Captain Flint Outdoor B1 NEW

Designed by Michael Anastassiades

9.5W - 629lm - 2700K - CRI> 80 - Beam° 112



Integrated ON/OFF or dimmable 220-240V power supply. For mains connection, the light source is equipped with watertight cable. Box for ground or cobblestone installations requiring concrete plinth is available upon request. 2200K available on request.



Are you a professional and your project needs consulting and support?

[BOOK AN APPOINTMENT](#)

### Main specifications

|                  |                      |
|------------------|----------------------|
| EAN              | 8059607735718        |
| Mounting         | Ground               |
| Environments     | Outdoor wet location |
| LED type         | LED array            |
| Number of heads  | 1                    |
| Power (W)        | 9.5                  |
| Source flux (lm) | 989                  |
| System flux (lm) | 629                  |

### Physical

|                         |                          |
|-------------------------|--------------------------|
| Colour                  | Polished Stainless Steel |
| Orientation             | Adjustable               |
| Transversal tilting (°) | 270                      |
| Net weight (kg)         | 2.23                     |
| Package height (mm)     | 1080                     |
| Package width (mm)      | 460                      |
| Package length (mm)     | 320                      |
| Package volume (m3)     | 0.16                     |
| IP internal             | 65                       |

### Download

Mounting instructions [↓ ZIP](#)

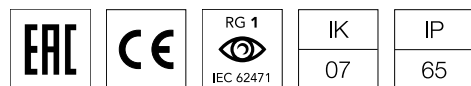
### Photometric Files

LDT / IES [↓ ZIP](#)

### Technical Drawings

2D [↓ ZIP](#)

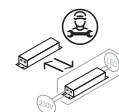
3D [↓ ZIP](#)



### Ecodesign and Energy Labelling

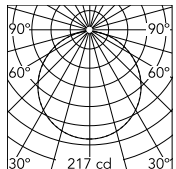


Replaceable (LED only) light source by a professional



Replaceable control gear by a professional

## Schematic light drawing



Beam Angle: 114°

| h(m) | E(lx) | D(m)  |
|------|-------|-------|
| 1    | 217   | 3.05  |
| 2    | 54    | 6.11  |
| 3    | 24    | 9.16  |
| 4    | 14    | 12.22 |
| 5    | 9     | 15.27 |

Luminous flux Luminaire  
629 lm

### Photometric

|                        |           |
|------------------------|-----------|
| Lighting type          | Direct    |
| Light distribution     | Symmetric |
| CCT (K)                | 2700      |
| CRI>                   | 80        |
| Beam angle C0-180 (°)  | 112       |
| Beam angle C90-270 (°) | 112       |

### Electrical

|                    |                 |
|--------------------|-----------------|
| Insulation class   | II              |
| Frequency (Hz)     | 50-60           |
| Main voltage (Vac) | 220-240         |
| Driver             | Remote included |
| Dimmable           | No              |
| Dimming type       | Non Dimmable    |
| Dimming interface  | Not Dimmable    |

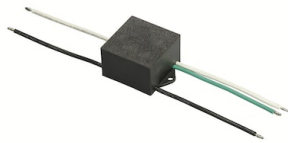
## Accessories & Power Supply



REQUIRED  
Accessory

F018Z000000

Box for ground installation



OPTIONAL  
Accessory

F990E00A000

S.P.D. (SURGE PROTECTION  
DEVICE)