

FLOS

■ F011D40B030 Black

Captain Flint Outdoor B1 NEW

Designed by Michael Anastassiades

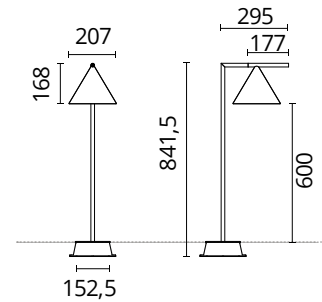
9.5W - 699lm - 4000K - CRI> 80 - Beam° 112



Integrated ON/OFF or dimmable 220-240V power supply. For mains connection, the light source is equipped with watertight cable. Box for ground or cobblestone installations requiring concrete plinth is available upon request. 2200K available on request.

Are you a professional and your project needs consulting and support?

[BOOK AN APPOINTMENT](#)



Main specifications

| | |
|------------------|----------------------|
| EAN | 8059607736036 |
| Mounting | Ground |
| Environments | Outdoor wet location |
| LED type | LED array |
| Number of heads | 1 |
| Power (W) | 9.5 |
| Source flux (lm) | 1099 |
| System flux (lm) | 699 |

Physical

| | |
|-------------------------|------------|
| Colour | Black |
| Orientation | Adjustable |
| Transversal tilting (°) | 270 |
| Net weight (kg) | 2.23 |
| Package height (mm) | 1080 |
| Package width (mm) | 460 |
| Package length (mm) | 320 |
| Package volume (m3) | 0.16 |
| IP internal | 65 |

Download

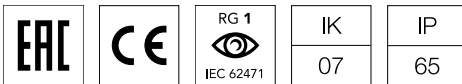
Mounting instructions [↓ ZIP](#)

Photometric Files

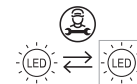
Technical Drawings

2D [↓ ZIP](#)

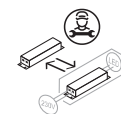
3D [↓ ZIP](#)



Ecodesign and Energy Labelling

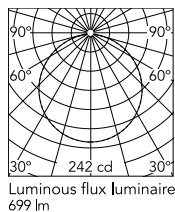


Replaceable (LED only) light source by a professional



Replaceable control gear by a professional

Schematic light drawing



| h(m) | E(lx) | D(m) |
|------|-------|-------|
| 1 | 242 | 3.05 |
| 2 | 60 | 6.11 |
| 3 | 27 | 9.16 |
| 4 | 15 | 12.22 |
| 5 | 10 | 15.27 |

Photometric

| | |
|------------------------|-----------|
| Lighting type | Direct |
| Light distribution | Symmetric |
| CCT (K) | 4000 |
| CRI> | 80 |
| Beam angle C0-180 (°) | 112 |
| Beam angle C90-270 (°) | 112 |

Electrical

| | |
|--------------------|-------------------|
| Insulation class | II |
| Frequency (Hz) | 50-60 |
| Main voltage (Vac) | 220-240 |
| Driver | Remote included |
| Dimmable | Yes |
| Dimming type | Dimmable 1-10V |
| Dimming interface | Dimmer Integrated |

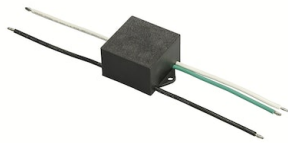
Accessories & Power Supply



REQUIRED
Accessory

F018Z000000

Box for ground installation



OPTIONAL
Accessory

F990E00A000

S.P.D. (SURGE PROTECTION
DEVICE)