



## Tubs 900mm

Nahtrang Design

Pendant Tubs 900mm LED 41 LED warm-white 3000K DALI-2/PUSH Black 1990lm

### Technical features

- Luminaire total power: 41W
- Real lumens: 1990
- Real lm/W: 49
- Correlated Colour Temperature (CCT): LED warm-white 3000K
- Lens / reflector angle: HORIZONTAL 124°
- UGR: <=19
- Structure material: Aluminium
- Structure finish: Black
- Diffuser material: Polycarbonate
- Diffuser finish: Opal
- Driver Brand: HEP
- Voltage / frequency: 100-277V/50-60Hz
- Dimming protocol: DALI-2/PUSH
- Power Factor: 0.90
- THD%: 20
- Useful life: 50,000h L80B20
- Warranty: 5 años



### Luminotechnic features

- Luminance C0°G65°: 1177
- Luminance C90°G65°: 1034
- CRI: 80
- MacAdam steps: 5
- Photobiological risk: RGO

UGR		Lampholder	Quantity	Light source power (W)
S=0.250		LED	1	36W
Ceiling / cavity	0.7			
Walls	0.5			
Working Plane	0.2			
Room dimensions	X=4H, Y=8H			
UGR crosswise	18.4			
UGR lengthwise	17.1			

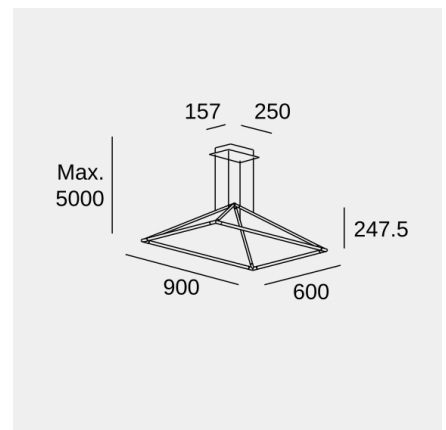


Image may not match reference. LedsC4 reserves the right to amend any of the product's components. The data related to flux, power and colour temperature may be subject to changes made by the manufacturer.



## Tubs 900mm

Nahtrang Design

Pendant Tubs 900mm LED 41 LED warm-white 3000K DALI-2/PUSH Black 1990lm

### Logistics



x 1

Net weight (kg): 3.72

Packaged weight (kg): 7.48

Packaging: 970mm x 685mm x  
350mm

### Light application



Image may not match reference. LedsC4 reserves the right to amend any of the product's components. The data related to flux, power and colour temperature may be subject to changes made by the manufacturer.