



Tubs 1200mm

Nahtrang Design

Pendant Tubs 1200mm LED 53.5 LED warm-white 3000K ON-OFF Black 2196lm

Technical features

- Luminaire total power: 53.5W
- Real lumens: 2196
- Real lm/W: 41
- Correlated Colour Temperature (CCT): LED warm-white 3000K
- Lens / reflector angle: HORIZONTAL 124°
- UGR: <=19
- Structure material: Aluminium
- Structure finish: Black
- Diffuser material: Polycarbonate
- Diffuser finish: Opal
- Driver Brand: HEP
- Voltage / frequency: 100-240V/50-60Hz
- Dimming protocol: ON-OFF
- Power Factor: 0.90
- THD%: 20
- Useful life: 50,000h L80B20
- Warranty: 5 años



Luminotechnic features

- Luminance C0°G65°: 942
- Luminance C90°G65°: 830
- CRI: 90
- MacAdam steps: 3
- Photobiological risk: RGO

UGR		Lampholder	Quantity	Light source power (W)
S=0.250				
Ceiling / cavity	0.7	LED	1	48W
Walls	0.5			
Working Plane	0.2			
Room dimensions	X=4H, Y=8H			
UGR crosswise	17.6			
UGR lengthwise	16.4			

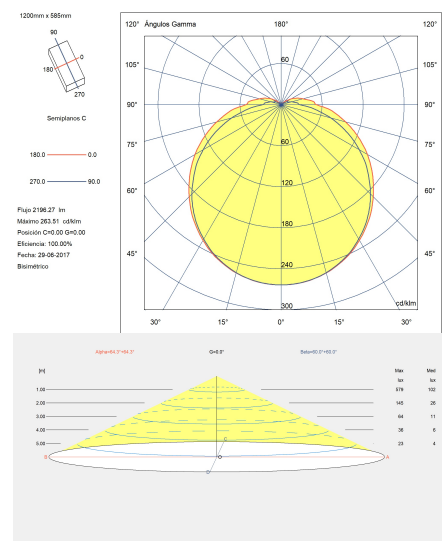
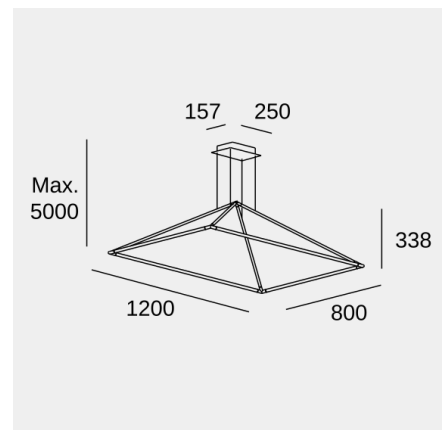


Image may not match reference. LedsC4 reserves the right to amend any of the product's components. The data related to flux, power and colour temperature may be subject to changes made by the manufacturer.



Tubs 1200mm

Nahtrang Design

Pendant Tubs 1200mm LED 53.5 LED warm-white 3000K ON-OFF Black 2196lm

Logistics



x 1

Net weight (kg): 5

Packaged weight (kg): 12.6

Packaging: 1300mm x 905mm x
420mm

Light application



Image may not match reference. LedsC4 reserves the right to amend any of the product's components. The data related to flux, power and colour temperature may be subject to changes made by the manufacturer.