



## Tubs 1200mm

Pendant Tubs 1200mm LED 53.5 LED warm-white 3000K ON-OFF Black 2196lm

### Technical features

- Luminaire total power: 53.5W
- Real lumens: 2196
- Real lm/W: 41
- Correlated Colour Temperature (CCT): LED warm-white 3000K
- Lens / reflector angle: HORIZONTAL 124°
- UGR: <=19
- Structure material: Aluminium
- Structure finish: Black
- Diffuser material: Methacrylate
- Diffuser finish: Opal
- Driver Brand: HEP
- Voltage / frequency: 120-277V/50-60Hz
- Dimming protocol: ON-OFF
- Power Factor: 0.90
- THD%: 20
- Useful life: 50,000h L80B20
- Warranty: 5 años



### Luminotechnic features

- Luminance C0°G65°: 942
- Luminance C90°G65°: 830
- CRI: 90
- MacAdam steps: 3
- Photobiological risk: RGO

| UGR              |            | Lampholder | Quantity | Light source power (W) |
|------------------|------------|------------|----------|------------------------|
| S=0.250          |            |            |          |                        |
| Ceiling / cavity | 0.7        | LED        | 1        | 48W                    |
| Walls            | 0.5        |            |          |                        |
| Working Plane    | 0.2        |            |          |                        |
| Room dimensions  | X=4H, Y=8H |            |          |                        |
| UGR crosswise    | 17.6       |            |          |                        |
| UGR lengthwise   | 16.4       |            |          |                        |

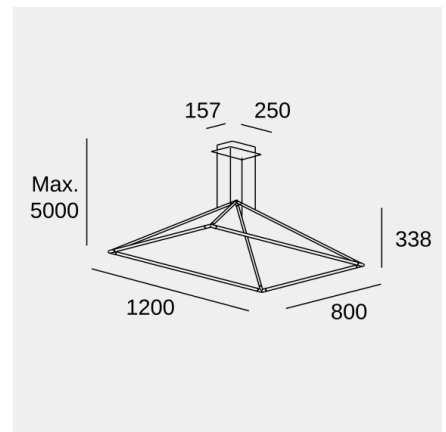


Image may not match reference. LedsC4 reserves the right to amend any of the product's components. The data related to flux, power and colour temperature may be subject to changes made by the manufacturer.



## Tubs 1200mm

Pendant Tubs 1200mm LED 53.5 LED warm-white 3000K ON-OFF Black 2196lm

### Logistics



x1

Net weight (kg): 5

Packaged weight (kg): 12.6

Packaging: 1300mm x 905mm x  
420mm

### Light application



Image may not match reference. LedsC4 reserves the right to amend any of the product's components. The data related to flux, power and colour temperature may be subject to changes made by the manufacturer.