



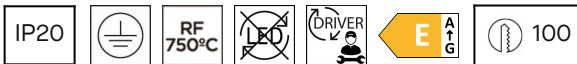
Voiles Big Recessed

Celine Wright

Pendant Voiles Big Recessed LED 52.2 LED warm-white 3000K DALI Chrome 4480lm

Technical features

- Luminaire total power: 52.2W
- Real lumens: 4480
- Real lm/W: 86
- Correlated Colour Temperature (CCT): LED warm-white 3000K
- UGR: <=16
- Structure material: Steel
- Structure finish: Chrome
- Diffuser material: Japanese paper
- Diffuser finish: White
- Driver Brand: MEANWELL
- Voltage / frequency: 220-240V/50-60Hz
- Dimming protocol: DALI
- Power Factor: 0.90
- THD%: 20
- Useful life: 50,000h L80B20
- Warranty: 5 años



Luminotechnic features

- Luminance C0°G65°: 713
- Luminance C90°G65°: 432
- CRI: 80
- MacAdam steps: 3
- Photobiological risk: RGO

UGR		Lampholder	Quantity	Light source power (W)
S=0.250				
Ceiling / cavity	0.7	LED	1	47.5W
Walls	0.5			
Working Plane	0.2			
Room dimensions	X=4H, Y=8H			
UGR crosswise	13.4			
UGR lengthwise	14.5			

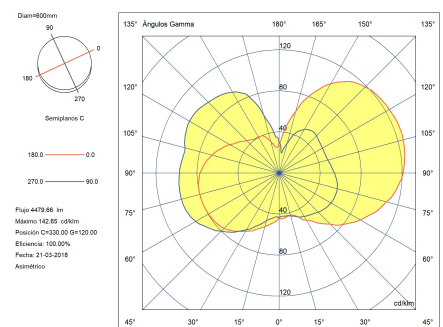
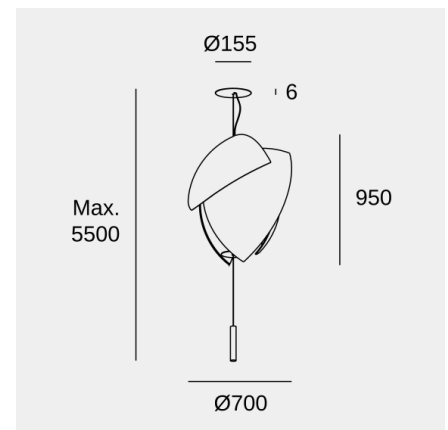


Image may not match reference. LedsC4 reserves the right to amend any of the product's components. The data related to flux, power and colour temperature may be subject to changes made by the manufacturer.



Voiles Big Recessed

Celine Wright

Pendant Voiles Big Recessed LED 52.2 LED warm-white 3000K DALI Chrome 4480lm

Logistics



x 1

Net weight (kg): 5.09

Packaged weight (kg): 10.325

Packaging: 880mm x 880mm x
370mm

Light application



Image may not match reference. LedsC4 reserves the right to amend any of the product's components. The data related to flux, power and colour temperature may be subject to changes made by the manufacturer.