



Voiles Small Surface

Celine Wright

Pendant Voiles Small Surface LED 36 LED warm-white 3000K 1-10V Chrome 2619lm

Technical features

- Luminaire total power: 36W
- Real lumens: 2619
- Real lm/W: 73
- Correlated Colour Temperature (CCT): LED warm-white 3000K
- UGR: <=16
- Structure material: Steel
- Structure finish: Chrome
- Diffuser material: Japanese paper
- Diffuser finish: White
- Driver Brand: HEP
- Voltage / frequency: 100-240V/50-60Hz
- Dimming protocol: 1-10V
- Power Factor: 0.90
- THD%: 15
- Useful life: 50,000h L80B20
- Warranty: 5 años



Luminotechnic features

- Luminance C0°G65°: 938
- Luminance C90°G65°: 569
- CRI: 80
- MacAdam steps: 3
- Photobiological risk: RG0

| UGR | |
|------------------|------------|
| S=0.250 | |
| Ceiling / cavity | 0.7 |
| Walls | 0.5 |
| Working Plane | 0.2 |
| Room dimensions | X=4H, Y=8H |
| UGR crosswise | 14.4 |
| UGR lengthwise | 15.4 |

| Lampholder | Quantity | Light source power (W) |
|------------|----------|------------------------|
| LED | 1 | 32.5W |

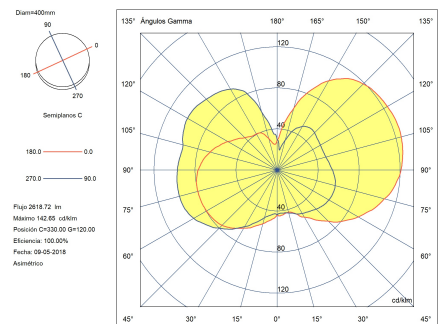
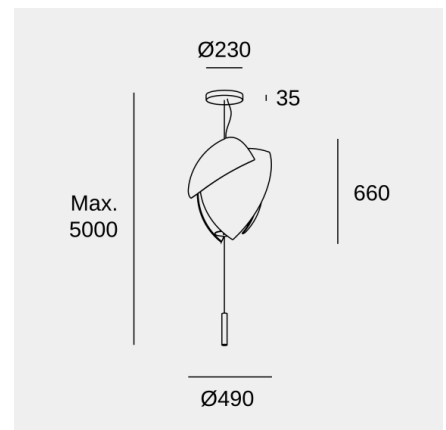


Image may not match reference. LedsC4 reserves the right to amend any of the product's components. The data related to flux, power and colour temperature may be subject to changes made by the manufacturer.



Voiles Small Surface

Celine Wright

Pendant Voiles Small Surface LED 36 LED warm-white 3000K 1-10V Chrome 2619lm

Logistics



x 1

Net weight (kg): 3.9

Packaged weight (kg): 7.543

Packaging: 614mm x 610mm x 410mm

Light application



Image may not match reference. LedsC4 reserves the right to amend any of the product's components. The data related to flux, power and colour temperature may be subject to changes made by the manufacturer.