



Voiles Small Surface

Celine Wright

Pendant Voiles Small Surface LED 37.8 LED warm-white 2700K PHASE CUT Chrome 2619lm

Technical features

- Luminaire total power: 37.8W
- Real lumens: 2619
- Real lm/W: 69
- Correlated Colour Temperature (CCT): LED warm-white 2700K
- UGR: <=16
- Structure material: Steel
- Structure finish: Chrome
- Diffuser material: Japanese paper
- Diffuser finish: White
- Driver Brand: MEANWELL
- Voltage / frequency: 220-240V/50-60Hz
- Dimming protocol: PHASE CUT
- Power Factor: 0.90
- THD%: 20
- Useful life: 50,000h L80B20
- Warranty: 5 años



Luminotechnic features

- Luminance C0°G65°: 938
- Luminance C90°G65°: 569
- CRI: 80
- MacAdam steps: 3
- Photobiological risk: RG0

UGR	
S=0.250	
Ceiling / cavity	0.7
Walls	0.5
Working Plane	0.2
Room dimensions	X=4H, Y=8H
UGR crosswise	14.4
UGR lengthwise	15.4

Lampholder	Quantity	Light source power (W)
LED	1	32.5W

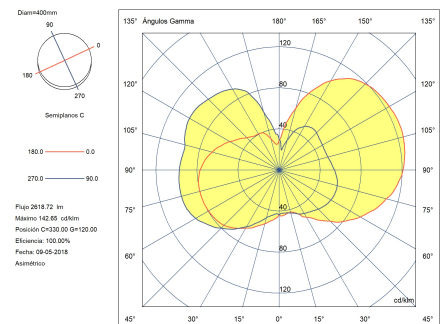
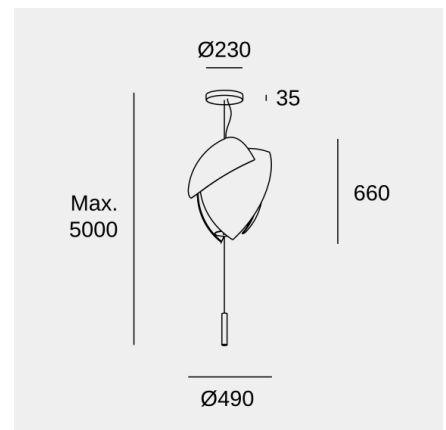


Image may not match reference. LedsC4 reserves the right to amend any of the product's components. The data related to flux, power and colour temperature may be subject to changes made by the manufacturer.