



Shoemaker 1204mm

Joel Karlson

Pendant Shoemaker 1204mm LED 55 LED warm-white 2700K DALI-2 Black Gray 3631lm

Technical features

- Luminaire total power: 55W
- Real lumens: 3631
- Real lm/W: 66
- Correlated Colour Temperature (CCT): LED warm-white 2700K
- Lens / reflector angle: HORIZONTAL 103°
- UGR: <=19
- Structure material: Steel, Felt
- Structure finish: Black, Gray
- Diffuser material: Methacrylate
- Diffuser finish: Opal, Prismatic
- Driver Brand: TCI
- Voltage / frequency: 100-240V/50-60Hz
- Dimming protocol: DALI-2
- Power Factor: 0.95
- Useful life: 50,000h L80B20
- Warranty: 5 años



Luminotechnic features

- Luminance C0°G65°: 1234
- Luminance C90°G65°: 1530
- CRI: 90
- MacAdam steps: 3
- Photobiological risk: RG1

UGR	
S=0.250	
Ceiling / cavity	0.7
Walls	0.5
Working Plane	0.2
Room dimensions	X=4H, Y=8H
UGR crosswise	15.6
UGR lengthwise	17.4

Lampholder	Quantity	Light source power (W)
LED	1	49W

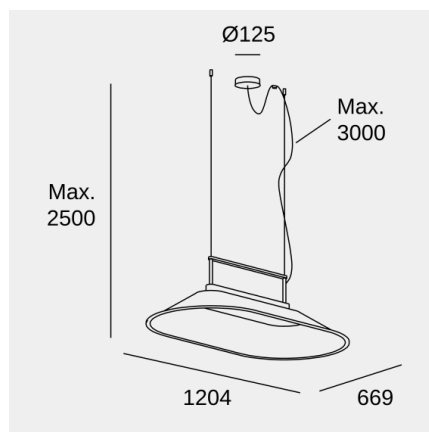
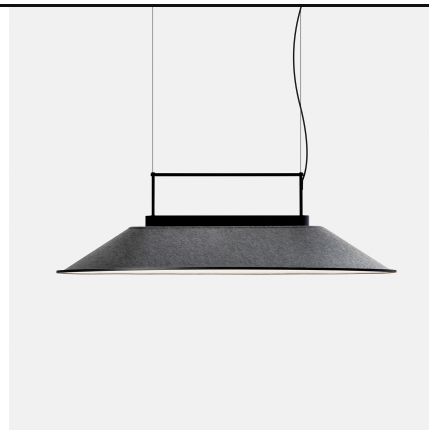


Image may not match reference. LedsC4 reserves the right to amend any of the product's components. The data related to flux, power and colour temperature may be subject to changes made by the manufacturer.



Shoemaker 1204mm

Joel Karlson

Pendant Shoemaker 1204mm LED 55 LED warm-white 2700K DALI-2 Black Gray 3631lm

Logistics



x 1

Net weight (kg): 8.8

Packaged weight (kg): 15.8

Packaging: 1250mm x 710mm x
290mm

Image may not match reference. LedsC4 reserves the right to amend any of the product's components. The data related to flux, power and colour temperature may be subject to changes made by the manufacturer.