



Bravo

Manel Llusçà

Pendant Bravo LED 42.2 LED warm-white 3000K PHASE CUT Gold 3075lm

Technical features

- Luminaire total power: 42.2W
- Real lumens: 3075
- Real lm/W: 73
- Correlated Colour Temperature (CCT): LED warm-white 3000K
- Lens / reflector angle: FLOOD 84°
- UGR: <=22
- Structure material: Aluminium
- Structure finish: Gold
- Diffuser material: Acrylic
- Diffuser finish: Opal
- Driver Brand: MEANWELL
- Voltage / frequency: 220-240V/50-60Hz
- Dimming protocol: PHASE CUT
- Power Factor: 0.90
- Useful life: 50,000h L80B20
- Warranty: 5 años



Luminotechnic features

- Luminance C0°G65°: 2853
- CRI: 80
- MacAdam steps: 3
- Photobiological risk: RG1

UGR		Lampholder	Quantity	Light source power (W)
S=0.250				
Ceiling / cavity	0.7	LED	1	37W
Walls	0.5			
Working Plane	0.2			
Room dimensions	X=4H, Y=8H			
UGR crosswise	19.3			
UGR lengthwise	23.7			

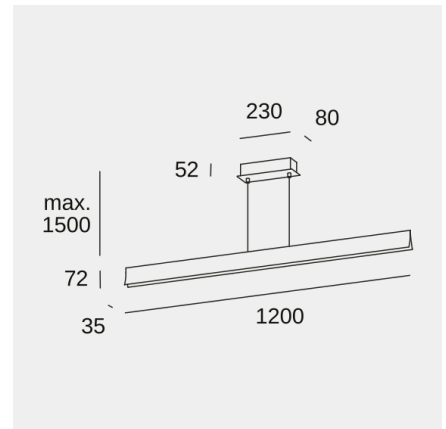


Image may not match reference. LedsC4 reserves the right to amend any of the product's components. The data related to flux, power and colour temperature may be subject to changes made by the manufacturer.



Bravo

Manel Llusçà

Pendant Bravo LED 42.2 LED warm-white 3000K PHASE CUT Gold 3075lm

Logistics



x 4

Net weight (kg): 1.88

Packaged weight (kg): 2.92

Packaging: 150mm x 95mm x 1240mm

Light application



Image may not match reference. LedsC4 reserves the right to amend any of the product's components. The data related to flux, power and colour temperature may be subject to changes made by the manufacturer.