



## Big

Llahona

Table lamp Big LED 13.2 SW 2700-3000-4000K 3 STEPS DIMMING Black 644lm

### Technical features

- Luminaire total power: 13.2W
- Real lumens: 644 (3000K)
- Real lm/W: 49
- Correlated Colour Temperature (CCT): SW 2700-3000-4000K
- Lens / reflector angle: HORIZONTAL 109°
- UGR: <=22
- Structure material: Steel
- Structure finish: Black
- Diffuser material: Methacrylate
- Diffuser finish: Opal white
- Driver Brand: MEAN WELL
- Voltage / frequency: 100-240V/50-60Hz
- Dimming protocol: 3 STEPS DIMMING
- Power Factor: 0.80
- Useful life: 50,000h L80B20
- Warranty: 5 años



### Luminotechnic features

- CRI: 90
- MacAdam steps: 3
- Photobiological risk: RG1
- UGR crosswise: 20.6
- UGR lengthwise: 20.6

Lampholder	Quantity	Light source power (W)
LED	1	12W

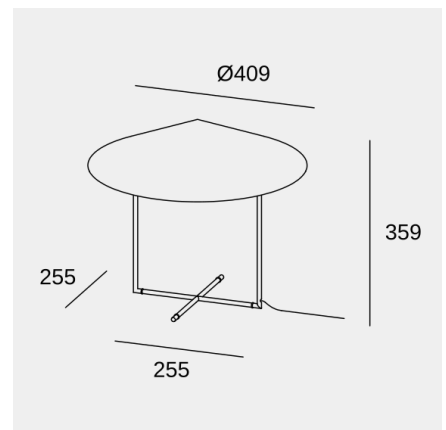


Image may not match reference. LedsC4 reserves the right to amend any of the product's components. The data related to flux, power and colour temperature may be subject to changes made by the manufacturer.



## Big

Llahona

Table lamp Big LED 13.2 SW 2700-3000-4000K 3 STEPS DIMMING Black 644lm

## Logistics



x 3

Net weight (kg): 2.15

Packaged weight (kg): 3.77

Packaging: 450mm x 450mm x  
155mm

## Light application



Image may not match reference. LedsC4 reserves the right to amend any of the product's components. The data related to flux, power and colour temperature may be subject to changes made by the manufacturer.