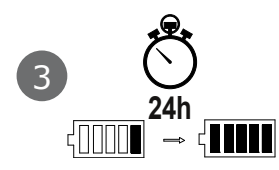
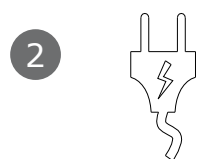
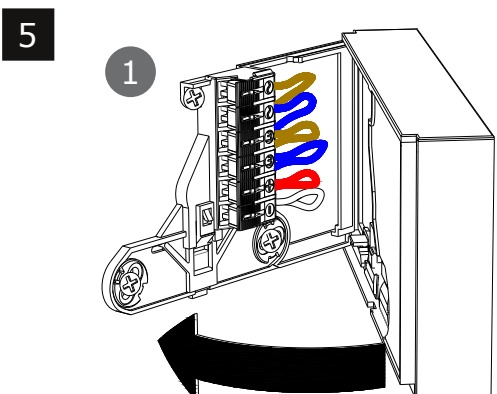
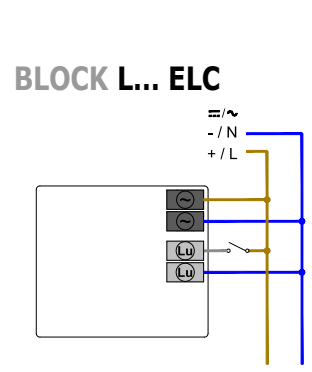
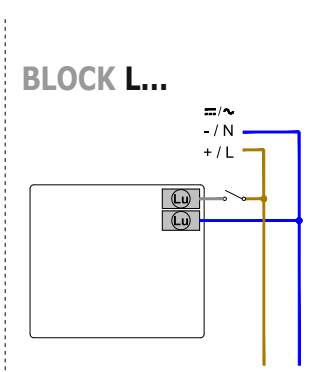
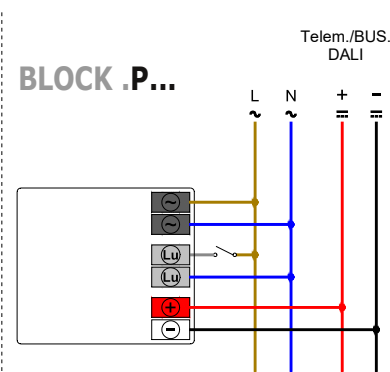
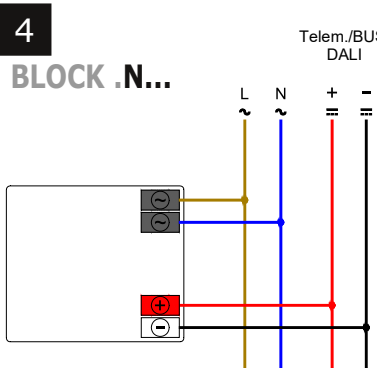
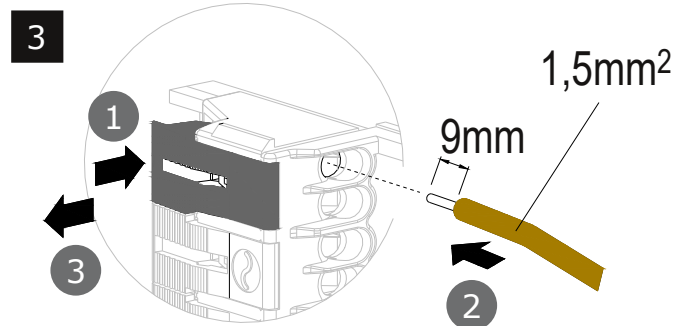
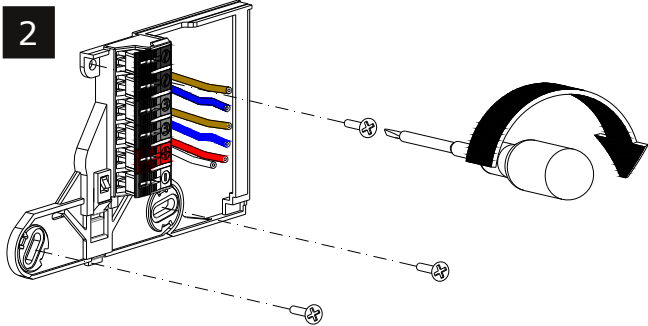
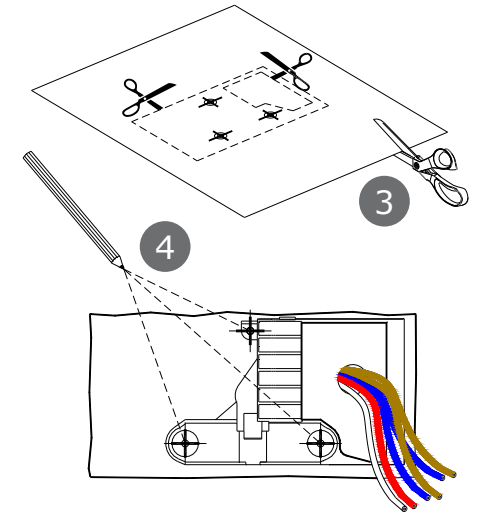
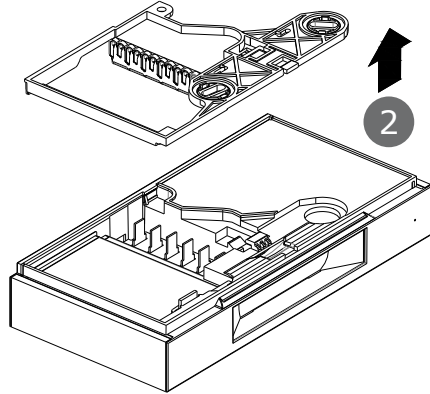
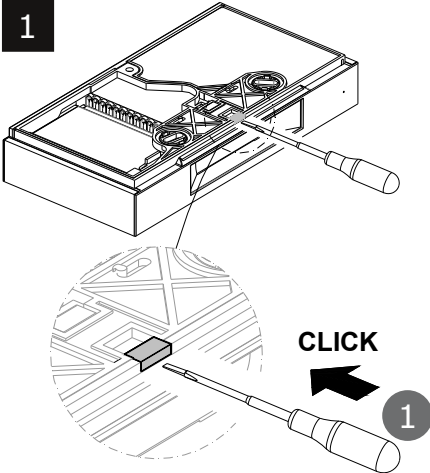
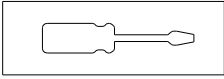
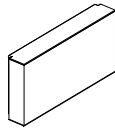
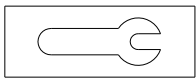
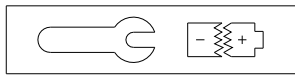
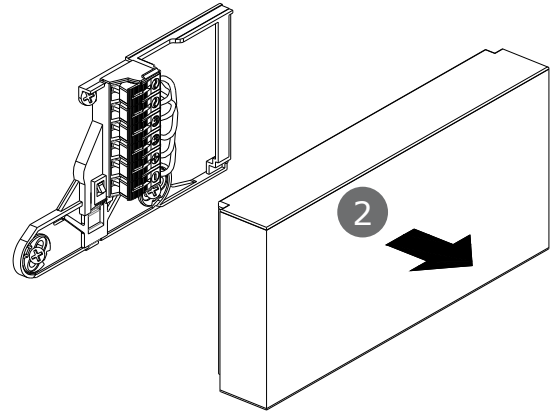
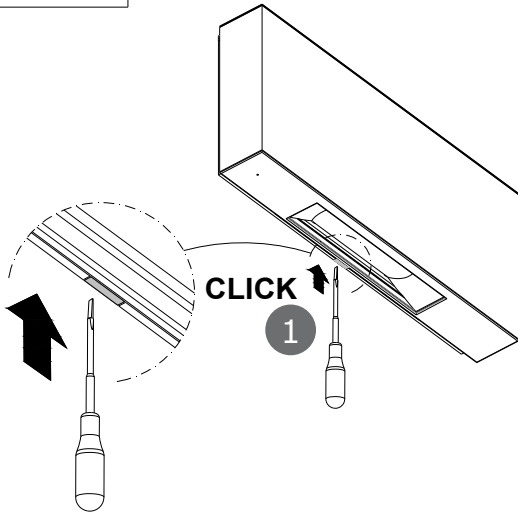


BLOCK

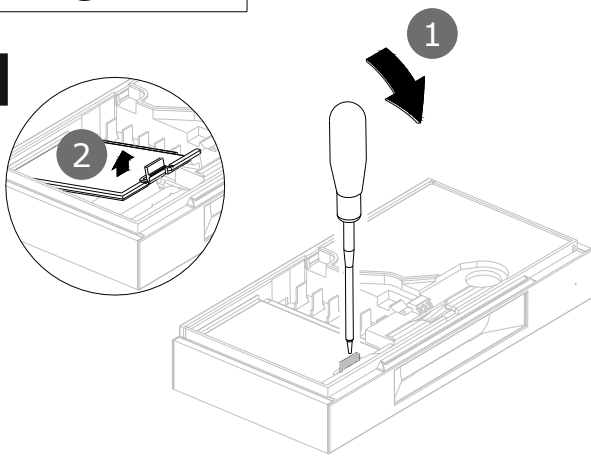




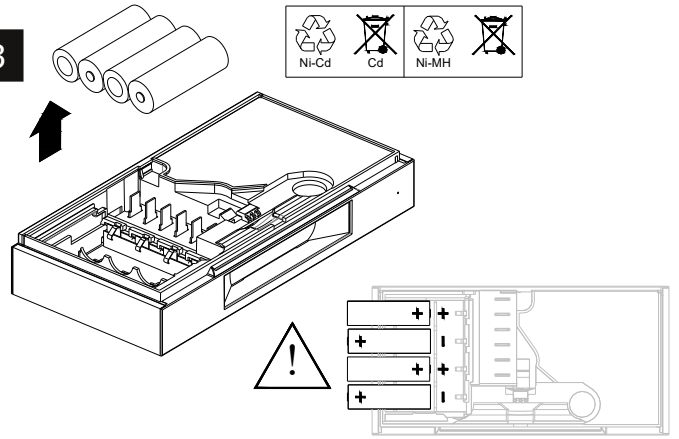
1



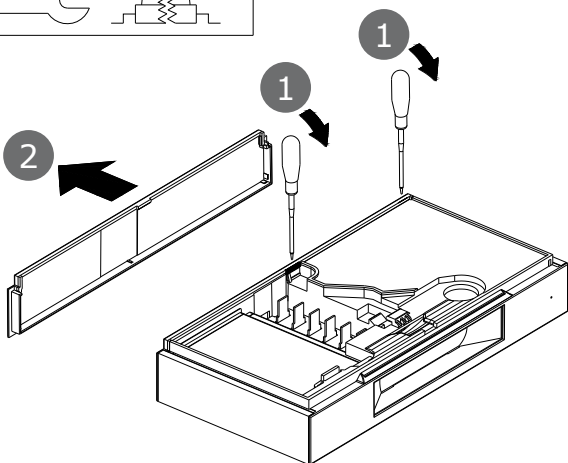
2



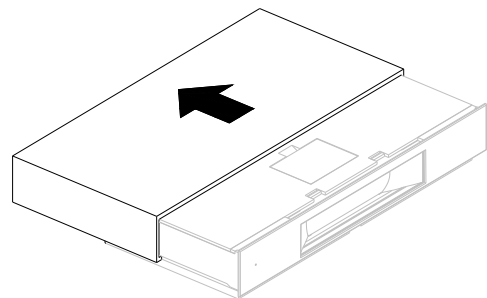
3



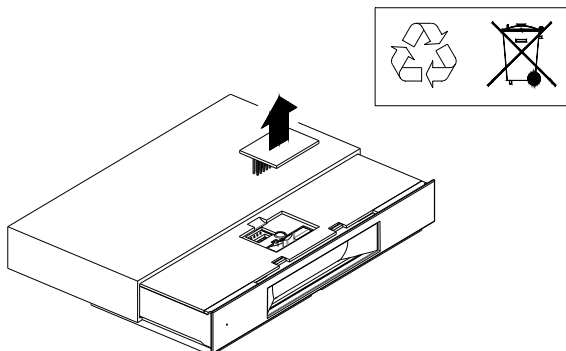
2



3



4



5

