

Atria A Atria TCA

Specifically for Self-test

DISCOUNT LEVEL C

Specifically for Self-test and DaisaTest System.

Includes microprocessor for Self-test mode operation A or DaisaTest centralised management system TCA
 Fill out the reference with A or TCA depending on the model. TEV test control unit for Atria TCA: See page 117
 Example of order: Atria N22 A / Atria N22 TCA

Model	Duration	Battery	Lumens	Light source	A €	TCA €
Non-maintained:						
Atria N22 <input type="checkbox"/>	1 h	LiFePO ₄	1000	MHB _{LED}	-----	-----
Atria N48 <input type="checkbox"/>	1 h	LiFePO ₄	2500	MHB _{LED}	-----	-----
Atria 2N22 <input type="checkbox"/>	2 h	LiFePO ₄	1000	MHB _{LED}	-----	-----
Atria 2N48 <input type="checkbox"/>	2 h	LiFePO ₄	2200	MHB _{LED}	-----	-----
Atria 3N22 <input type="checkbox"/>	3 h	LiFePO ₄	1000	MHB _{LED}	-----	-----
Atria 3N28 <input type="checkbox"/>	3 h	LiFePO ₄	1600	MHB _{LED}	-----	-----

Model	Duration	Battery	Lumens	Light source	A €	TCA €
Maintained: (1)						
			Emerg. Lum.			
Atria P22 <input type="checkbox"/>	1 h	LiFePO ₄	1000	1000	MHB _{LED}	-----
Atria P48 <input type="checkbox"/>	1 h	LiFePO ₄	2500	1000	MHB _{LED}	-----
Atria 2P22 <input type="checkbox"/>	2 h	LiFePO ₄	1000	1000	MHB _{LED}	-----
Atria 2P48 <input type="checkbox"/>	2 h	LiFePO ₄	2200	1000	MHB _{LED}	-----
Atria 3P22 <input type="checkbox"/>	3 h	LiFePO ₄	1000	1000	MHB _{LED}	-----
Atria 3P28 <input type="checkbox"/>	3 h	LiFePO ₄	1600	1000	MHB _{LED}	-----

Atria DALI

Specifically for DALI System

Models for the DALI system are available. By arrangement with the factory.

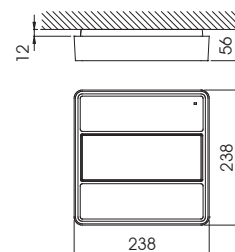
Atria Luminaire

DOES NOT INCLUDE BATTERY

Luminaire specific function

Model	Power supply	Lumens	Light source	€
Atria L22	See power supply	1000	MHB _{LED}	-----
Atria L48	See power supply	2500	MHB _{LED}	-----

Atria Surface Atria N48 (RAL9006)



Operation, shared data and notes:

The emergency luminaires equipped with LiFePO₄ battery technology include a pulse-load microprocessing system that enables an important reduction of energy consumption.

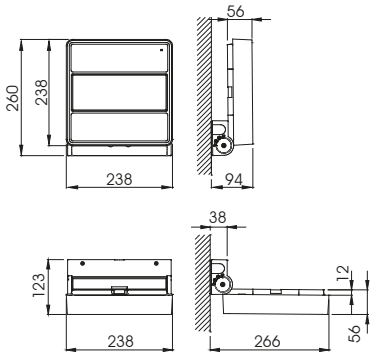
The maintained models have an Eco-maintained function

(1) Maintained models have a separate connection to the mains that enables turning the luminaire on/off at will with 1000 lumens.

Features plug & play and anchoring system.

Built to the EN 60598-2-22 (IEC 60598-2-22) standard. Protection rating IP43 IK04.

Atria Surface
Atria N48 (GR) + KPGR Atria



■ Finishes

DISCOUNT LEVEL C

Finish of	Description	Marking	Incr. €
Optical group	Open area Ceiling	(AT)	-----
	Open area Wall	(AP)	-----
	Escape route Ceiling/Wall	(EVC)	-----
Colour	White	(B)	-----
	Silver grey	(RAL9006)	-----
	Dark metallic grey	(GR)	-----
LED colour	Cool white (as standard)	(-----)	-----
	Warm white. The luminous flux is reduced by 20% <i>Only Maintained and Luminaire models</i>	(WW)	-----
Power supply:			
Self-contained	220-230V 50/60Hz	-----	-----
	110-127V 50/60Hz	(110-127V)	-----
Luminaires	110-240V 50/60Hz, 170-320V DC	-----	-----
	24V 50/60Hz, 18-30V DC	(24V)	-----

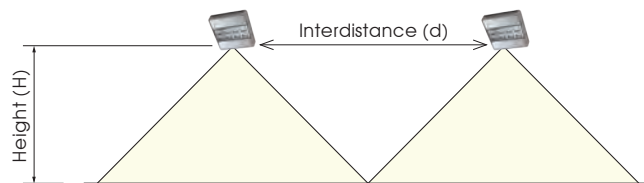
■ Accessories

DISCOUNT LEVEL C

Product reference	Description	Diagram	€
KPB Atria	White		-----
KPGP Atria	Silver grey		-----
KPGR Atria	Dark metallic grey		-----
Accessory for adjusting the angle Suitable for walls and ceilings			

■ Interdistance examples

Ceiling installation



Open area application (AT)

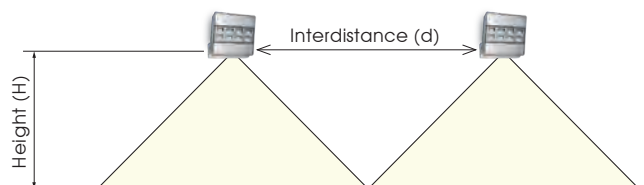
Escape route application (EVC)

Height	Interdistance in metres (d)	
	N22 A/TCA (AT)	N48 A/TCA (AT)
H = 5 m	18	-----
H = 10 m	28	33
H = 15 m	31	43
H = 20 m	-----	48

Height	Interdistance in metres (d)	
	N22 A/TCA (EVC)	N48 A/TCA (EVC)
H = 5 m	36	-----
H = 10 m	46	60
H = 15 m	44	69
H = 20 m	-----	73

Wall installation

Luminaires installed at an angle of 30° from vertical



Open area application (AP)

Escape route application (EVC)

Height	Interdistance in metres (d)	
	N22 A/TCA (AP)	N48 A/TCA (AP)
H = 5 m	16	-----
H = 10 m	21	28
H = 15 m	24	34
H = 20 m	-----	35

Height	Interdistance in metres (d)	
	N22 A/TCA (EVC)	N48 A/TCA (EVC)
H = 5 m	37	-----
H = 10 m	18	62
H = 15 m	-----	36
H = 20 m	-----	-----

