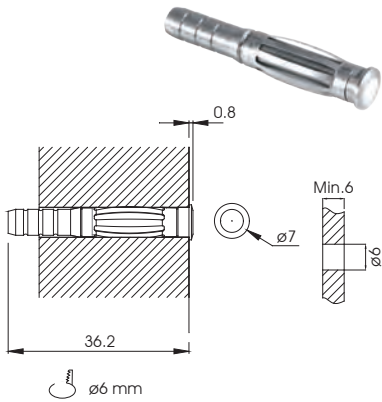
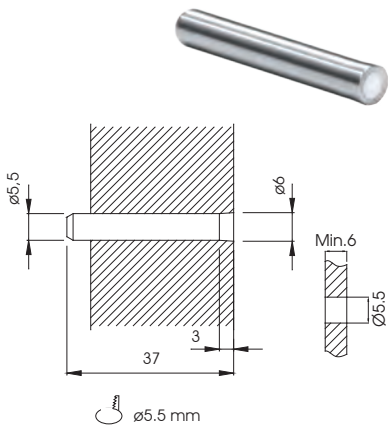


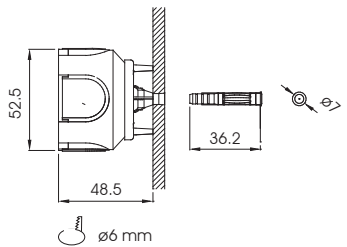
Clavo-MD



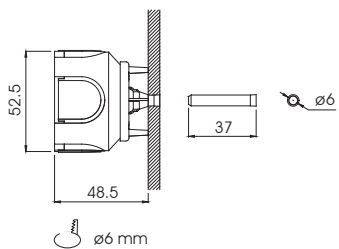
Clavo



KE Clavo-MD



KE Clavo



DISCOUNT LEVEL B

Model	LED colours	Power supply	€
Clavo-MD B	Cool white	24V AC/DC (I = 0.01 A)	-----
Clavo-MD WW	Warm white	24V AC/DC (I = 0.01 A)	-----
Clavo-MD Z	Blue	24V AC/DC (I = 0.01 A)	-----
Clavo-MD V	Green	24V AC/DC (I = 0.01 A)	-----
Clavo-MD A	Ambar	24V AC/DC (I = 0.01 A)	-----
Clavo-MD R	Red	24V AC/DC (I = 0.01 A)	-----

Clavo

Suitable for installation on (hard) materials such as stone, block, brick...

DISCOUNT LEVEL B

Model	LED colours	Power supply	€
Clavo B	Cool white	24V AC/DC (I = 0.01 A)	-----
Clavo WW	Warm white	24V AC/DC (I = 0.01 A)	-----
Clavo Z	Blue	24V AC/DC (I = 0.01 A)	-----
Clavo V	Green	24V AC/DC (I = 0.01 A)	-----
Clavo A	Ambar	24V AC/DC (I = 0.01 A)	-----
Clavo R	Red	24V AC/DC (I = 0.01 A)	-----

Finishes ■ Accessories

Clavo-MD / Clavo

■ Finishes

Finish of	Description	Marking	Incr. €
Diffuser	Opal	(OPAL)	-----
	Transparent	(TR)	-----

■ Accessories

Product reference	Description	€
KE Clavo-MD	Clavo-MD recessed mounting box	-----
KE Clavo	Clavo recessed mounting box	-----

DISCOUNT LEVEL C

Product reference	Description	Beacons supplied with power		€
		Clavo-MD / Clavo		
Power units:				
PBL-24-02	Power unit with maintained output at 24 V DC, 0.2 A. Fitted with Ni-Mh battery. Provides 1 hour of duration.	20	-----	
PBL-24-06	Power unit with maintained output at 24 V DC, 0.6 A. Fitted with Ni-Mh battery. Provides 1 hour of duration.	70	-----	
PBL-25	Power unit with maintained output at 24 V AC/DC, 0.38 A. Fitted with Ni-Cd battery. Provides 1 hour of duration.	50	-----	
PBL-80	Power unit with maintained output at 24 V AC/DC, 1.2 A. Power 220V AC/50Hz. Fitted with Ni-Cd battery. Provides 1 hour of duration. When mains power is available it has two power levels available, one being adjustable. Self-test mode operation.	130	-----	
PBL-80 (Ni-Mh)	Power unit with maintained output at 24 V AC/DC, 1.2 A. Power 220V AC/50Hz. Fitted with Ni-Mh battery. Provides 1 hour of duration. When mains power is available it has two power levels available, one being adjustable. Self-test mode operation.	130	-----	
PBL-24-02 TCA	Power unit with maintained output at 24 V DC, 0.2 A. Fitted with Ni-Mh battery. Provides 1 hour of duration. Includes microprocessor for operation with DaisaTest central system	20	-----	
PBL-24-06 TCA	Power unit with maintained output at 24 V DC, 0.6 A. Fitted with Ni-Mh battery. Provides 1 hour of duration. Includes microprocessor for operation with DaisaTest central system	70	-----	
TL-40	Transformer 230 V AC/24V AC.	80	-----	
DIR-1	Directional coupler switch at 24 V AC/DC enabling one of four beacons to light up sequentially to indicate a direction. Maximum 25 Clavo-MD or Clavo beacons per output.	100	-----	

Note: Technical data and dimensions of these power units on page 102.

Operation, shared data and notes:

The Clavo-MD and Clavo beacons are supplied with a 1.5m cable. For other measurements consult the factory. Built to the EN 60598-2-22 (IEC 60598-2-22) standard. Protection rating: IP64 IK07.