

**DISCOUNT LEVEL B**

Model	Installation height(m)	Duration	Format	Lumens	Light source	€
<b>Non-maintained:</b>						
Lens N20	2.0 to 2.5	1h	Short	120	MHB <sub>LED</sub>	-----
Lens N30	2.5 to 4.0	1h	Short	200	MHB <sub>LED</sub>	-----
Lens N40	4.0 to 7.0	1h	Short	200	MHB <sub>LED</sub>	-----
Lens N70	7.0 to 15.0	1h	Short	200	MHB <sub>LED</sub>	-----
Lens 2N20	2.0 to 2.5	2h	Length	120	MHB <sub>LED</sub>	-----
Lens 2N30	2.5 to 4.0	2h	Length	200	MHB <sub>LED</sub>	-----
Lens 2N40	4.0 to 7.0	2h	Length	200	MHB <sub>LED</sub>	-----
Lens 2N70	7.0 to 15.0	2h	Length	200	MHB <sub>LED</sub>	-----
Lens 3N20	2.0 to 2.5	3h	Length	120	MHB <sub>LED</sub>	-----
Lens 3N30	2.5 to 4.0	3h	Length	180	MHB <sub>LED</sub>	-----
Lens 3N40	4.0 to 7.0	3h	Length	180	MHB <sub>LED</sub>	-----
Lens 3N70	7.0 to 15.0	3h	Length	180	MHB <sub>LED</sub>	-----

Model	Installation height(m)	Duration	Format	Lumens	Light source	€
<b>Maintained: (1)</b>						
				<b>Emerg. Lum.</b>		
Lens P20	2.0 to 2.5	1h	Short	120 70	MHB <sub>LED</sub>	-----
Lens P30	2.5 to 4.0	1h	Short	200 110	MHB <sub>LED</sub>	-----
Lens P40	4.0 to 7.0	1h	Short	200 110	MHB <sub>LED</sub>	-----
Lens P70	7.0 to 15.0	1h	Short	200 110	MHB <sub>LED</sub>	-----
Lens 2P20	2.0 to 2.5	2h	Length	120 70	MHB <sub>LED</sub>	-----
Lens 2P30	2.5 to 4.0	2h	Length	200 110	MHB <sub>LED</sub>	-----
Lens 2P40	4.0 to 7.0	2h	Length	200 110	MHB <sub>LED</sub>	-----
Lens 2P70	7.0 to 15.0	2h	Length	200 110	MHB <sub>LED</sub>	-----
Lens 3P20	2.0 to 2.5	3h	Length	120 70	MHB <sub>LED</sub>	-----
Lens 3P30	2.5 to 4.0	3h	Length	180 110	MHB <sub>LED</sub>	-----
Lens 3P40	4.0 to 7.0	3h	Length	180 110	MHB <sub>LED</sub>	-----
Lens 3P70	7.0 to 15.0	3h	Length	180 110	MHB <sub>LED</sub>	-----

## Lens Round A Lens Round TCA

Specifically for Self-test  
Specifically for Self-test and DaisaTest System.

Includes microprocessor for Self-test mode operation **A** or DaisaTest centralised management system **TCA**  
Fill out the reference with **A** or **TCA** depending on the model. TEV test control unit for Lens TCA: See page 117  
Example of order: Lens N20 A / Lens N20 TCA

Model	Installation height(m)	Duration	Format	Lumens	Light source	A €	TCA €
<b>Non-maintained:</b>							
Lens N20 <input type="checkbox"/>	2.0 to 2.5	1h	Short	120	MHB <sub>LED</sub>	-----	-----
Lens N30 <input type="checkbox"/>	2.5 to 4.0	1h	Short	200	MHB <sub>LED</sub>	-----	-----
Lens N40 <input type="checkbox"/>	4.0 to 7.0	1h	Short	200	MHB <sub>LED</sub>	-----	-----
Lens N70 <input type="checkbox"/>	7.0 to 15.0	1h	Short	200	MHB <sub>LED</sub>	-----	-----
Lens 2N20 <input type="checkbox"/>	2.0 to 2.5	2h	Length	120	MHB <sub>LED</sub>	-----	-----
Lens 2N30 <input type="checkbox"/>	2.5 to 4.0	2h	Length	200	MHB <sub>LED</sub>	-----	-----
Lens 2N40 <input type="checkbox"/>	4.0 to 7.0	2h	Length	200	MHB <sub>LED</sub>	-----	-----
Lens 2N70 <input type="checkbox"/>	7.0 to 15.0	2h	Length	200	MHB <sub>LED</sub>	-----	-----
Lens 3N20 <input type="checkbox"/>	2.0 to 2.5	3h	Length	120	MHB <sub>LED</sub>	-----	-----
Lens 3N30 <input type="checkbox"/>	2.5 to 4.0	3h	Length	180	MHB <sub>LED</sub>	-----	-----
Lens 3N40 <input type="checkbox"/>	4.0 to 7.0	3h	Length	180	MHB <sub>LED</sub>	-----	-----
Lens 3N70 <input type="checkbox"/>	7.0 to 15.0	3h	Length	180	MHB <sub>LED</sub>	-----	-----

Model	Installation height(m)	Duration	Format	Lumens	Light source	A €	TCA €
<b>Maintained: (1)</b>							
				<b>Emerg. Lum.</b>			
Lens P20 <input type="checkbox"/>	2.0 to 2.5	1h	Short	120 70	MHB <sub>LED</sub>	-----	-----
Lens P30 <input type="checkbox"/>	2.5 to 4.0	1h	Short	200 110	MHB <sub>LED</sub>	-----	-----
Lens P40 <input type="checkbox"/>	4.0 to 7.0	1h	Short	200 110	MHB <sub>LED</sub>	-----	-----
Lens P70 <input type="checkbox"/>	7.0 to 15.0	1h	Short	200 110	MHB <sub>LED</sub>	-----	-----
Lens 2P20 <input type="checkbox"/>	2.0 to 2.5	2h	Length	120 70	MHB <sub>LED</sub>	-----	-----
Lens 2P30 <input type="checkbox"/>	2.5 to 4.0	2h	Length	200 110	MHB <sub>LED</sub>	-----	-----
Lens 2P40 <input type="checkbox"/>	4.0 to 7.0	2h	Length	200 110	MHB <sub>LED</sub>	-----	-----
Lens 2P70 <input type="checkbox"/>	7.0 to 15.0	2h	Length	200 110	MHB <sub>LED</sub>	-----	-----
Lens 3P20 <input type="checkbox"/>	2.0 to 2.5	3h	Length	120 70	MHB <sub>LED</sub>	-----	-----
Lens 3P30 <input type="checkbox"/>	2.5 to 4.0	3h	Length	180 110	MHB <sub>LED</sub>	-----	-----
Lens 3P40 <input type="checkbox"/>	4.0 to 7.0	3h	Length	180 110	MHB <sub>LED</sub>	-----	-----
Lens 3P70 <input type="checkbox"/>	7.0 to 15.0	3h	Length	180 110	MHB <sub>LED</sub>	-----	-----

## Lens Round DALI | Specifically for DALI System

Models for the DALI system are available. By arrangement with the factory.

## Lens Round Luminaire | DOES NOT INCLUDE BATTERY Luminaire specific function

Model	Installation height(m)	Format	Lumens	Light source	€
Lens L20	2.0 to 2.5	Short	120	MHB <sub>LED</sub>	-----
Lens L30	2.5 to 4.0	Short	200	MHB <sub>LED</sub>	-----
Lens L40	4.0 to 7.0	Short	200	MHB <sub>LED</sub>	-----
Lens L70	7.0 to 15.0	Short	200	MHB <sub>LED</sub>	-----

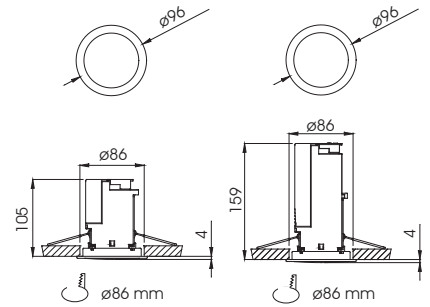
## Lens synthetic trim (standard)

Lens



Short format

Long format



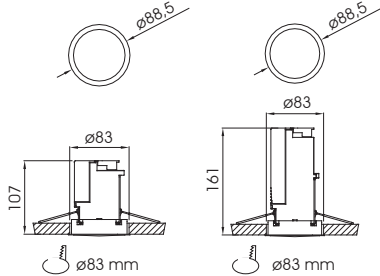
Lens metallic trim

Lens (MET)



Short format

Long format



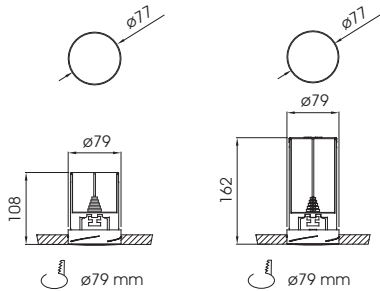
Lens with no trim

Lens (SEN)



Short format

Long format



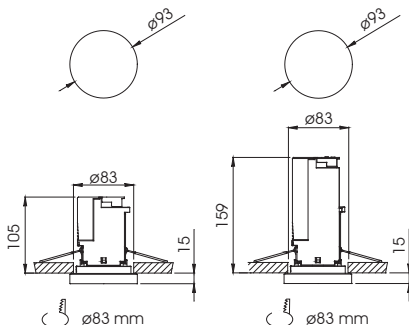
Lens Semi-recessed

Lens (SM)



Short format

Long format



■ Finishes

DISCOUNT LEVEL B

Finish of	Description	Marking	Incr. €
Installation	Synthetic flush-mounted, 10 mm wing	-----	-----
	Metallic flush-mounted, 3 mm wing	(MET)	-----
	Flush-mounted without trim	(SEN)	-----
	Semi-recessed	(SM)	-----
Trim colour	White (as standard)	-----	-----
	Synthetic flush-mounted Silver grey	(RAL9006)	-----
	Metallic flush-mounted Black	(N)	-----
LED colour	Cool white (as standard)	-----	-----
	Warm white. The luminous flux is reduced by 20% <i>Only Maintained and Luminaire models</i>	(WW)	-----
Power supply: Self-contained	220-230V 50/60Hz	-----	-----
	110-127V 50/60Hz	(110-127V)	-----
Luminaires	110-240V 50/60Hz, 170-320V DC	-----	-----
	24V 50/60Hz, 18-30V DC	(24V)	-----

■ Accessories

Product reference	Description	Diagram	€
KTF Lens	Gear-type mounting kit for fragile ceilings. Only for metallic trim (MET)		-----
HMT Lens-SEN	Tools for mounting support ring. Only for flush-mounting without trim (SEN)		-----
MNT Lens-SEN	Manual accessory for support ring assembly. Only for flush-mounting without trim (SEN)		-----

Operation, shared data and notes:

The emergency luminaires equipped with Ni-Mh battery technology include a pulse-load microprocessing system that enables an important reduction of energy consumption.

The A and TCA Maintained models have an Eco-maintained function.

(1) Maintained models have a separate connection to the mains that enables turning the luminaire on/off at will.

Features plug & play and anchoring system.

Built to the EN 60598-2-22 (IEC 60598-2-22) standard. Protection rating: IP20 IK04.