

DISCOUNT LEVEL B

Model	Mounting	Duration	Battery	Light source	€
Maintained: (1)					
Ikus2211-T P	Ceiling-mounted	1 h	Ni-Cd	ILM _{LED}	-----
Ikus2211-M P	Ceiling-recessed	1 h	Ni-Cd	ILM _{LED}	-----
Ikus2211-S P	Suspended	1 h	Ni-Cd	ILM _{LED}	-----
Ikus2211-P P	Wall-mounted	1 h	Ni-Cd	ILM _{LED}	-----
Ikus2211-B P	Wall-mounted pennant	1 h	Ni-Cd	ILM _{LED}	-----

Ikus 220x110 A | Specifically for Self-test Ikus 220x110 TCA | Specifically for Self-test and DaisaTest System.

Includes microprocessor for Self-test mode operation **A** or DaisaTest centralised management system **TCA**
 Fill out the reference with **A** or **TCA** depending on the model. TEV test control unit for Ikus 220x110 TCA: See page 117
 Example of order: Ikus2211-T P A / Ikus2211-T P TCA

Model	Mounting	Duration	Battery	Light source	A €	TCA €
Maintained: (1)						
Ikus2211-T P <input type="checkbox"/>	Ceiling-mounted	1 h	Ni-Mh	ILM _{LED}	-----	-----
Ikus2211-M P <input type="checkbox"/>	Ceiling-recessed	1 h	Ni-Mh	ILM _{LED}	-----	-----
Ikus2211-S P <input type="checkbox"/>	Suspended	1 h	Ni-Mh	ILM _{LED}	-----	-----
Ikus2211-P P <input type="checkbox"/>	Wall-mounted	1 h	Ni-Mh	ILM _{LED}	-----	-----
Ikus2211-B P <input type="checkbox"/>	Wall-mounted pennant	1 h	Ni-Mh	ILM _{LED}	-----	-----
Ikus2211-T 2P <input type="checkbox"/>	Ceiling-mounted	2 h	Ni-Mh	ILM _{LED}	-----	-----
Ikus2211-M 2P <input type="checkbox"/>	Ceiling-recessed	2 h	Ni-Mh	ILM _{LED}	-----	-----
Ikus2211-S 2P <input type="checkbox"/>	Suspended	2 h	Ni-Mh	ILM _{LED}	-----	-----
Ikus2211-P 2P <input type="checkbox"/>	Wall-mounted	2 h	Ni-Mh	ILM _{LED}	-----	-----
Ikus2211-B 2P <input type="checkbox"/>	Wall-mounted pennant	2 h	Ni-Mh	ILM _{LED}	-----	-----
Ikus2211-T 3P <input type="checkbox"/>	Ceiling-mounted	3 h	LiFePO ₄	ILM _{LED}	-----	-----
Ikus2211-M 3P <input type="checkbox"/>	Ceiling-recessed	3 h	LiFePO ₄	ILM _{LED}	-----	-----
Ikus2211-S 3P <input type="checkbox"/>	Suspended	3 h	LiFePO ₄	ILM _{LED}	-----	-----
Ikus2211-P 3P <input type="checkbox"/>	Wall-mounted	3 h	LiFePO ₄	ILM _{LED}	-----	-----
Ikus2211-B 3P <input type="checkbox"/>	Wall-mounted pennant	3 h	LiFePO ₄	ILM _{LED}	-----	-----

Ikus 220x110 DALI | Specifically for DALI System

Models for the DALI system are available. By arrangement with the factory.

Ikus 220x110 Luminaire | DOES NOT INCLUDE BATTERY Luminaire specific function

Model	Mounting	Power supply	Light source	€
Ikus2211-T L	Ceiling-mounted	See power supply	ILM _{LED}	-----
Ikus2211-M L	Ceiling-recessed	See power supply	ILM _{LED}	-----
Ikus2211-S L	Suspended	See power supply	ILM _{LED}	-----
Ikus2211-P L	Wall-mounted	See power supply	ILM _{LED}	-----
Ikus2211-B L	Wall-mounted pennant	See power supply	ILM _{LED}	-----

Operation, shared data and notes:

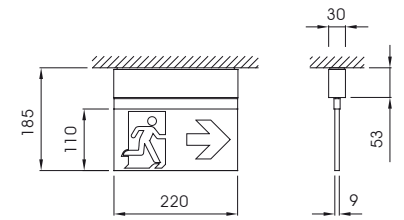
All models have IP65 Protection rating for indoor use.

(1) Maintained devices have two power supply inlets, LUM and EMERG, which can be turned off when the mains power is available.

Built to the EN 60598-2-22 (IEC 60598-2-22) standard. Protection rating: IP65 IK04.

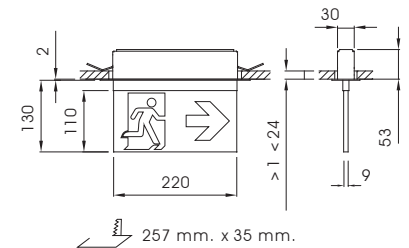
Ikus Ceiling-mounted

Ikus2211-T



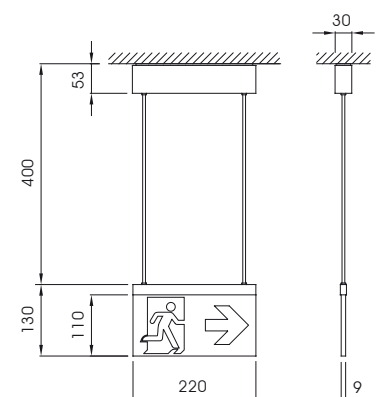
Ikus Ceiling-recessed

Ikus2211-M

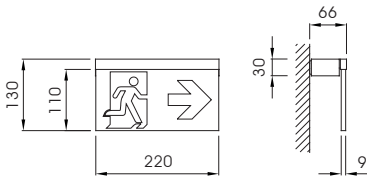


Ikus Suspended

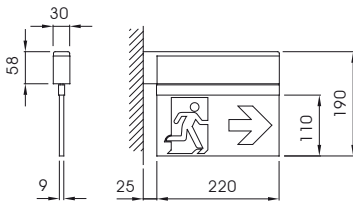
Ikus2211-S



Ikus Wall-mounted
Ikus2211-P



Ikus Wall-mounted pennant
(2) Ikus2211-B



■ Finishes

DISCOUNT LEVEL B

Finish of	Description	Marking	Incr. €																								
Installation of emergency signs: Ceiling-mounted Ceiling-recessed Suspended Wall-mounted pennant	Double-sided (as standard) Sign on both sides For pennant installations, the emergency sign must be ordered bearing in mind the diagram (2)	-----	-----																								
	Single-sided The side with no emergency sign includes an opaque sheet that prevents light passing through.	(1RT)	-----																								
Wall-mounted	Single-sided (as standard) The side with no emergency sign includes an opaque sheet that prevents light passing through.	-----	-----																								
RTD...	<table border="1"> <thead> <tr> <th>Description</th> <th>Marking</th> <th>Description</th> <th>Marking</th> <th>Description</th> <th>Marking</th> </tr> </thead> <tbody> <tr> <td></td> <td>(RTD1628)</td> <td></td> <td>(RTD1631)</td> <td></td> <td>(RTD1634)</td> </tr> <tr> <td></td> <td>(RTD1629)</td> <td></td> <td>(RTD1632)</td> <td></td> <td>(RTD1635)</td> </tr> <tr> <td></td> <td>(RTD1630)</td> <td></td> <td>(RTD1633)</td> <td></td> <td></td> </tr> </tbody> </table>	Description	Marking	Description	Marking	Description	Marking		(RTD1628)		(RTD1631)		(RTD1634)		(RTD1629)		(RTD1632)		(RTD1635)		(RTD1630)		(RTD1633)				
Description	Marking	Description	Marking	Description	Marking																						
	(RTD1628)		(RTD1631)		(RTD1634)																						
	(RTD1629)		(RTD1632)		(RTD1635)																						
	(RTD1630)		(RTD1633)																								
	RTD: 220x110 mm. Complies with the UNE-EN 1838 and EN ISO 7010 standards Customised signs and emergency signs supplied to order.																										
Profile colour	Silver grey (as standard)	-----	-----																								
	Black	(N)	-----																								
	White	(B)	-----																								
Power supply:																											
Self-contained	220-230V 50/60Hz	-----	-----																								
	110-127V 50/60Hz	(110-127V)	-----																								
Luminaires	110-240V 50/60Hz, 170-320V DC	-----	-----																								
	24V 50/60Hz, 18-30V DC	(24V)	-----																								

■ Accessories

Product reference	Description	Diagram	€
KMS Ikus22	Kit for surface cable input, for IKUS in grey		-----
KMSN Ikus22	Kit for surface cable input, for IKUS in black		-----
KMSB Ikus22	Kit for surface cable input, for IKUS in white		-----