

Model	Mounting	Duration	Battery	Light Source
Maintained: (1)				
Ikusmet2211-T P	Ceiling-mounted	1 h	Ni-Cd	ILM _{LED}
Ikusmet2211-M P	Ceiling-recessed	1 h	Ni-Cd	ILM _{LED}
Ikusmet2211-S P	Suspended	1 h	Ni-Cd	ILM _{LED}
Ikusmet2211-P P	Wall-mounted	1 h	Ni-Cd	ILM _{LED}
Ikusmet2211-B P	Wall-mounted pennant	1 h	Ni-Cd	ILM _{LED}

Ikusmet 220x110 A Specifically for Self-test Ikusmet 220x110 TCA Specifically for Self-test and DaisaTest

Includes microprocessor for Self-test mode operation A or DaisaTest centralised management system TCA

Fill out the reference A or TCA depending on the model.

Example of order: Ikusmet2211-T P A / Ikusmet2211-T P TCA

Model	Mounting	Duration	Battery	Light Source
Maintained: (1)				
Ikusmet2211-T P <input type="checkbox"/>	Ceiling-mounted	1 h	Ni-Mh	ILM _{LED}
Ikusmet2211-M P <input type="checkbox"/>	Ceiling-recessed	1 h	Ni-Mh	ILM _{LED}
Ikusmet2211-S P <input type="checkbox"/>	Suspended	1 h	Ni-Mh	ILM _{LED}
Ikusmet2211-P P <input type="checkbox"/>	Wall-mounted	1 h	Ni-Mh	ILM _{LED}
Ikusmet2211-B P <input type="checkbox"/>	Wall-mounted pennant	1 h	Ni-Mh	ILM _{LED}
Ikusmet2211-T 2P <input type="checkbox"/>	Ceiling-mounted	2 h	Ni-Mh	ILM _{LED}
Ikusmet2211-M 2P <input type="checkbox"/>	Ceiling-recessed	2 h	Ni-Mh	ILM _{LED}
Ikusmet2211-S 2P <input type="checkbox"/>	Suspended	2 h	Ni-Mh	ILM _{LED}
Ikusmet2211-P 2P <input type="checkbox"/>	Wall-mounted	2 h	Ni-Mh	ILM _{LED}
Ikusmet2211-B 2P <input type="checkbox"/>	Wall-mounted pennant	2 h	Ni-Mh	ILM _{LED}
Ikusmet2211-T 3P <input type="checkbox"/>	Ceiling-mounted	3 h	LiFePO ₄	ILM _{LED}
Ikusmet2211-M 3P <input type="checkbox"/>	Ceiling-recessed	3 h	LiFePO ₄	ILM _{LED}
Ikusmet2211-S 3P <input type="checkbox"/>	Suspended	3 h	LiFePO ₄	ILM _{LED}
Ikusmet2211-P 3P <input type="checkbox"/>	Wall-mounted	3 h	LiFePO ₄	ILM _{LED}
Ikusmet2211-B 3P <input type="checkbox"/>	Wall-mounted pennant	3 h	LiFePO ₄	ILM _{LED}

Ikusmet 220x110 Luminaire DOES NOT INCLUDE BATTERY Luminaire specific function

Model	Mounting	Power supply	Light Source
Ikusmet2211-T L	Ceiling-mounted	See power supply	ILM _{LED}
Ikusmet2211-M L	Ceiling-recessed	See power supply	ILM _{LED}
Ikusmet2211-S L	Suspended	See power supply	ILM _{LED}
Ikusmet2211-P L	Wall-mounted	See power supply	ILM _{LED}
Ikusmet2211-B L	Wall-mounted pennant	See power supply	ILM _{LED}

Operation, shared data and notes:

All models have **IP65 Protection rating for indoor use.**

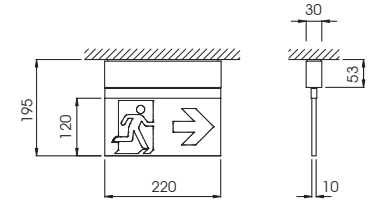
(1) Maintained devices have two power supply inlets, LUM and EMERG, which can be turned off when the mains power is available.

Built to the EN 60598-2-22 (IEC 60598-2-22) standard.

Protection rating: **IP65 IK04**

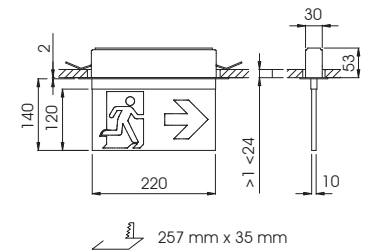
Ikusmet Ceiling-mounted

Ikusmet2211-T



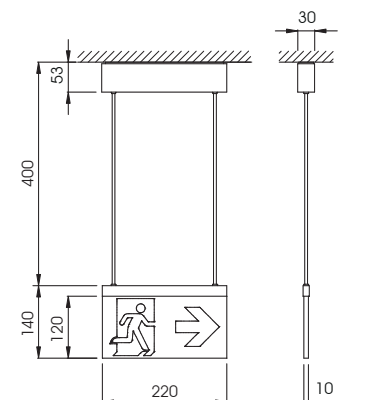
Ikusmet Ceiling-recessed

Ikusmet2211-M

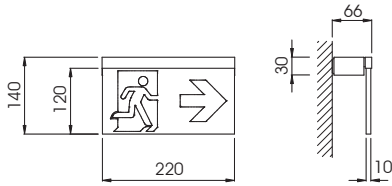


Ikusmet Suspended

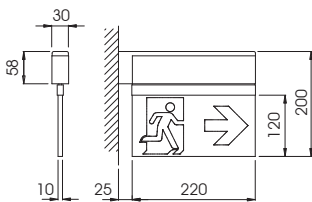
Ikusmet2211-S



Ikusmet Wall-mounted
Ikusmet2211-P



Ikusmet Wall-mounted pennant
Ikusmet2211-B



■ Finishes

Finish of	Description	Marking																								
Installation	Milled emergency signs The milled edges of the main silhouette of the design allows light emission from these areas, enhancing image identification. For pennant installations, the emergency sign must be ordered bearing in mind the diagram (2)	-----																								
RTD...	<table border="1"> <thead> <tr> <th>Description</th> <th>Marking</th> <th>Description</th> <th>Marking</th> <th>Description</th> <th>Marking</th> </tr> </thead> <tbody> <tr> <td></td> <td>(RTD1628)</td> <td></td> <td>(RTD1631)</td> <td></td> <td>(RTD1634)</td> </tr> <tr> <td></td> <td>(RTD1629)</td> <td></td> <td>(RTD1632)</td> <td></td> <td>(RTD1635)</td> </tr> <tr> <td></td> <td>(RTD1630)</td> <td></td> <td>(RTD1633)</td> <td></td> <td></td> </tr> </tbody> </table>	Description	Marking	Description	Marking	Description	Marking		(RTD1628)		(RTD1631)		(RTD1634)		(RTD1629)		(RTD1632)		(RTD1635)		(RTD1630)		(RTD1633)			
Description	Marking	Description	Marking	Description	Marking																					
	(RTD1628)		(RTD1631)		(RTD1634)																					
	(RTD1629)		(RTD1632)		(RTD1635)																					
	(RTD1630)		(RTD1633)																							
RTD: 200x100 mm. Complies with the UNE-EN 1838 and EN ISO 7010 standards																										
Profile colour	Silver grey (as standard)	-----																								
	Black	(N)																								
	White	(B)																								
Power supply:																										
Self-contained	220-230V 50/60Hz	-----																								
	110-127V 50/60Hz	(110-127V)																								
Luminaires	110-240V 50/60Hz, 170-320V DC	-----																								
	24V 50/60Hz, 18-30V DC	(24)																								

■ Accessories

Product reference	Descripción	Diagram
KMSGP Ikus22	Kit for surface cable input, for Ikusmet in silver grey.	
KMSN Ikus22	Kit for surface cable input, for Ikusmet in black.	
KMSB Ikus22	Kit for surface cable input, for Ikusmet in white.	