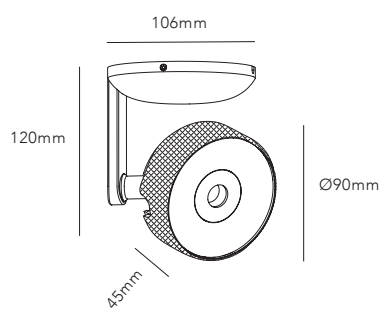


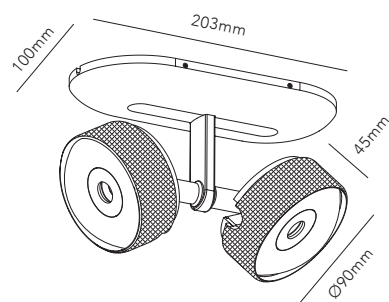


## COSMO

Design: Nital Patel



COSMO C1



COSMO C2

# COSMO - 2700/3000K

Design: Nital Patel

**LIGHT·POINT**  
C O P E N H A G E N

| ART. NAME               | COSMO C1        | COSMO C2        |   |
|-------------------------|-----------------|-----------------|---|
| Art. no. white          | 271070          | 271075          | - |
| Art. no. carbon black   | 271071          | 271076          | - |
| Art. no. rose gold      | 271072          | 271077          | - |
| Art. no. titanium       | 271073          | 271078          | - |
| Art. no. brass          | 271074          | 271079          | - |
| EAN white               | 5711389710705   | 5711389710750   | - |
| EAN carbon black        | 5711389710712   | 5711389710767   | - |
| EAN rose gold           | 5711389710729   | 5711389710774   | - |
| EAN titanium            | 5711389710736   | 5711389710781   | - |
| EAN brass               | 5711389710743   | 5711389710798   | - |
| Material                | Aluminium/Glass | Aluminium/Glass | - |
| Light source            | LED             | LED             | - |
| Lifetime                | 50.000          | 50.000          | - |
| Number of light sources | 1               | 2               | - |
| Electronical gear       | N/A             | N/A             | - |
| Driver watt             | N/A             | N/A             | - |
| Light source watt       | 8               | 17              | - |
| System watt             | N/A             | N/A             | - |
| Voltage                 | 220-240V        | 220-240V        | - |
| Dimmable                | Yes             | Yes             | - |
| Lumen output            | 880             | 1870            | - |
| Lumen pr. watt          | 110             | 110             | - |
| Flux                    | N/A             | N/A             | - |
| CCT (K)                 | 2700/3000       | 2700/3000       | - |
| RA/CRI                  | >90             | >90             | - |
| Mac Adam                | 3               | 3               | - |
| Light distribution      | Down            | Down            | - |
| Beam angle              | N/A             | N/A             | - |
| Tilt angle              | N/A             | N/A             | - |
| Cutout mm.              | N/A             | N/A             | - |
| Rotation                | N/A             | N/A             | - |
| Looping                 | Yes             | Yes             | - |