



LUMINAIRE MODEL

**KIER S**  
**10302**

CATALOGUE GROUP  
COUNTRY OF ORIGIN

—  
**MADE IN POLAND**

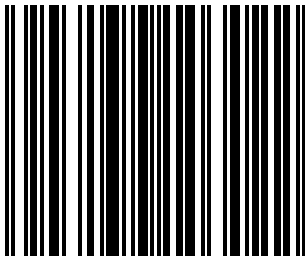
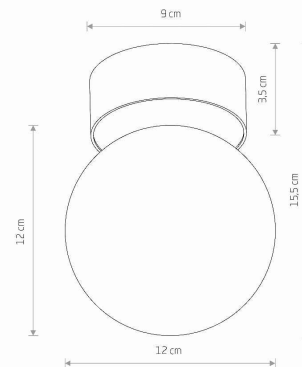
LIGHT SOURCE **G9**  
 LIGHT SOURCES TYPE **Replaceable**  
 MAXIMUM WATTAGE **12W**  
 LAMP INCLUDES SOURCE OF LIGHT **No**  
 NUMBER OF LIGHT SOURCES **1**  
 IP **IP20**  
**Interior use**



PACKAGE DIMENSIONS (L/W/H) **24cm/15cm/15cm**  
 NET/GROSS WEIGHT **0.37kg/0.57kg**  
 ASSEMBLY METHOD **Direct assembly**  
 LEADING/SUPPLEMENTARY COLOR **Black,White**  
 MATERIALS **Painted steel,Glass**  
 STYLE **Classic**  
 ELECTRICAL SECURITY CLASS **I**  
 POWER SUPPLY **~220-230VV/50/60Hz**



DIMENSIONS



5 903139103022