



LUMINAIRE MODEL

**SUNSET NATURAL A**  
**10576**

CATALOGUE GROUP  
COUNTRY OF ORIGIN

—  
**MADE IN POLAND**

LIGHT SOURCE **GX53**  
 LIGHT SOURCES TYPE **Replaceable**  
 MAXIMUM WATTAGE **12W only LED**  
 LAMP INCLUDES SOURCE OF LIGHT **No**  
 NUMBER OF LIGHT SOURCES **2**  
 IP **IP20**  
**Interior use**



PACKAGE DIMENSIONS (L/W/H) **68.5cm/53.7cm/17.3cm**

NET/GROSS WEIGHT **2kg/3.04kg**

ASSEMBLY METHOD **Hanger**

LEADING/SUPPLEMENTARY COLOR **Natural wood, Black**

MATERIALS **Plywood, Painted steel**

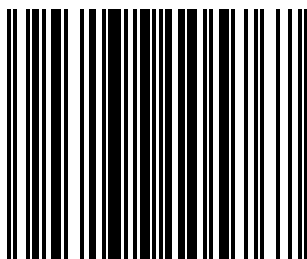
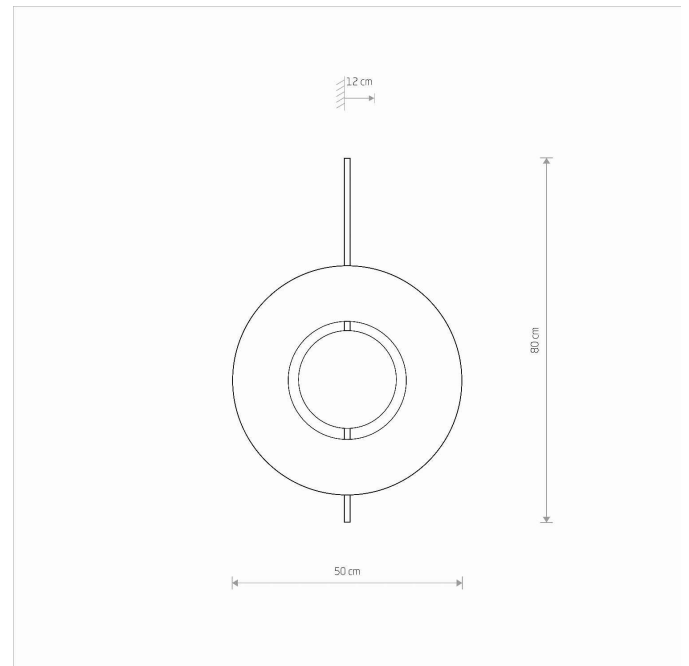
STYLE **Modern**

ELECTRICAL SECURITY CLASS **I**

POWER SUPPLY **~220-230V/50/60Hz**



DIMENSIONS



5 903139105767



**Nowodvorski**  
LIGHTING

## CATALOGUE CARD

