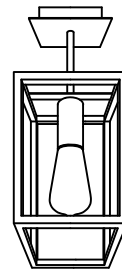


E27 x 1

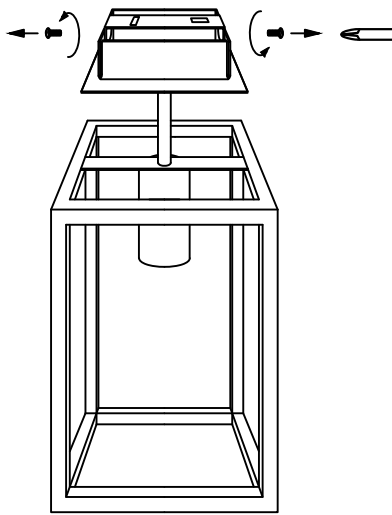


x 2

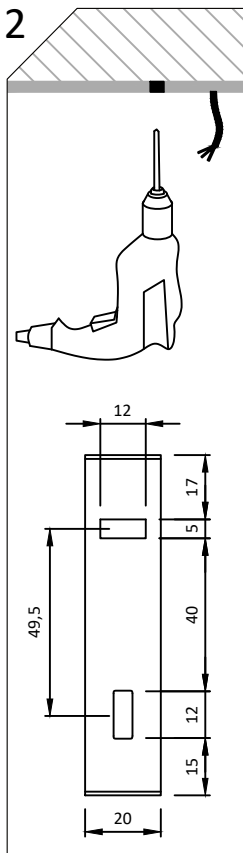


**CRATE  
9045**

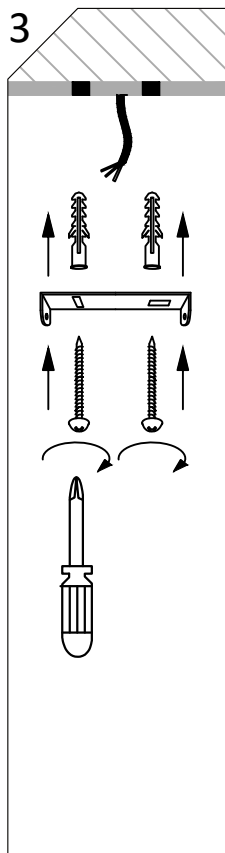
1



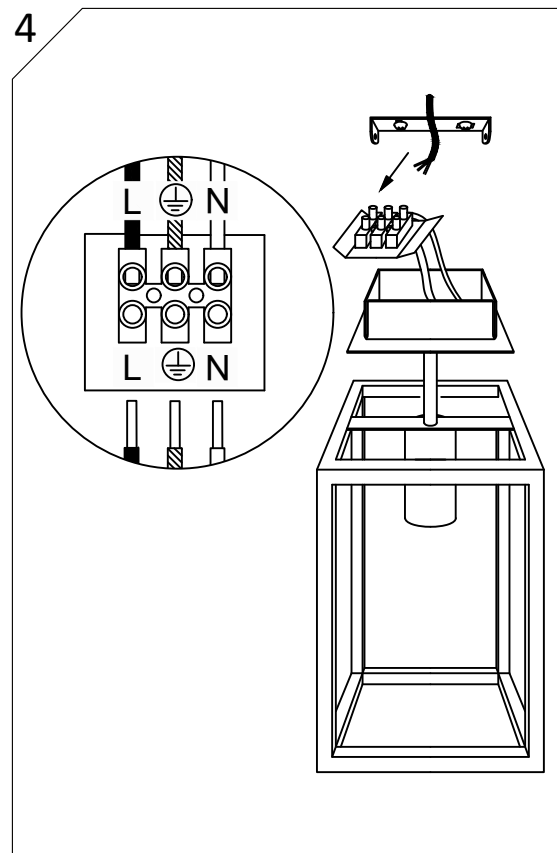
2



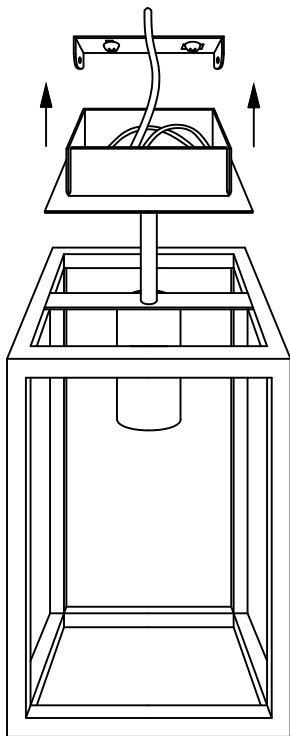
3



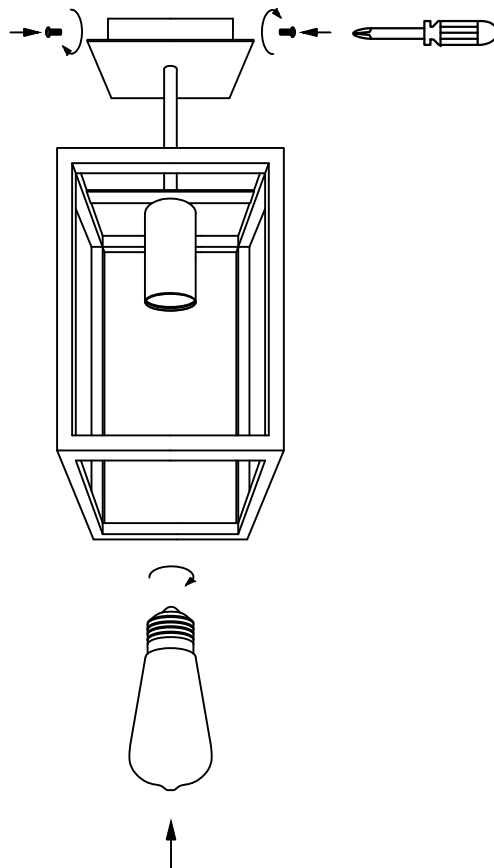
4



5



6



7

