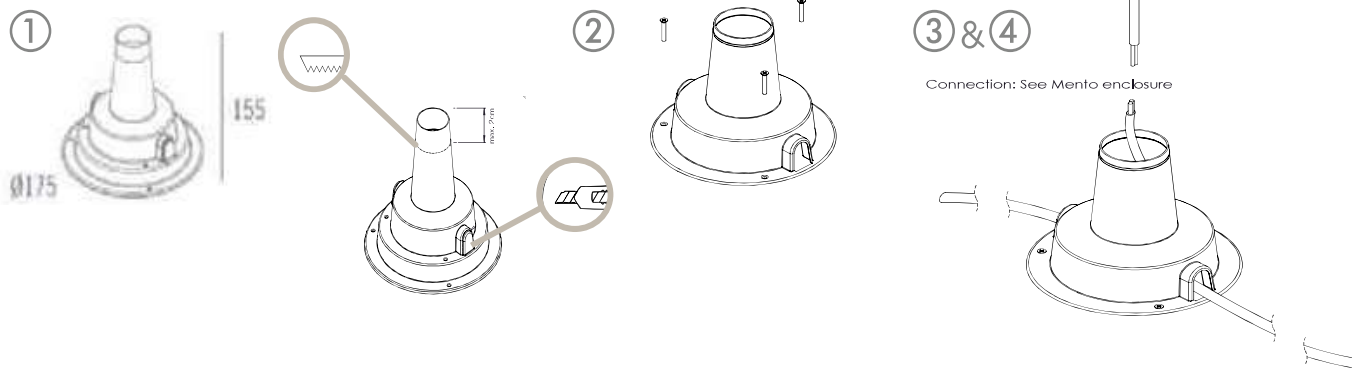


# MENTO

## FLOORKIT

1. Cut the floorkit to the correct length  
**! NOTICE : When you need to cut an extended length, cut first on the bottom line !**
2. Mount the floorkit on the surface
3. Wire the mento and use watertight sealings (connections)
4. Push the mento in the floorkit



# N-GAM

## INSTALLATION KIT

1. Prepare a hole in the ground
2. Make cuts in the desired grommet
3. Push cable(s) through the grommet(s) - Make sure you have enough cable to connect
4. Put gravel under the installation kit for drainage
5. Get the installation kit covered with soil
6. Connect with watertight sealers
7. Put wiring and driver in the kit and push the fixture in the kit also

