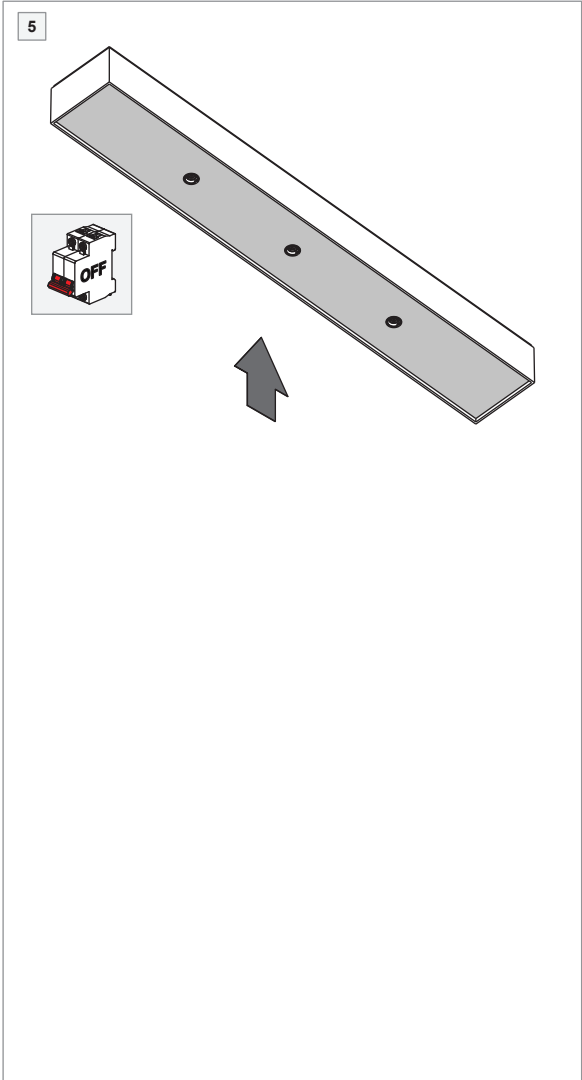
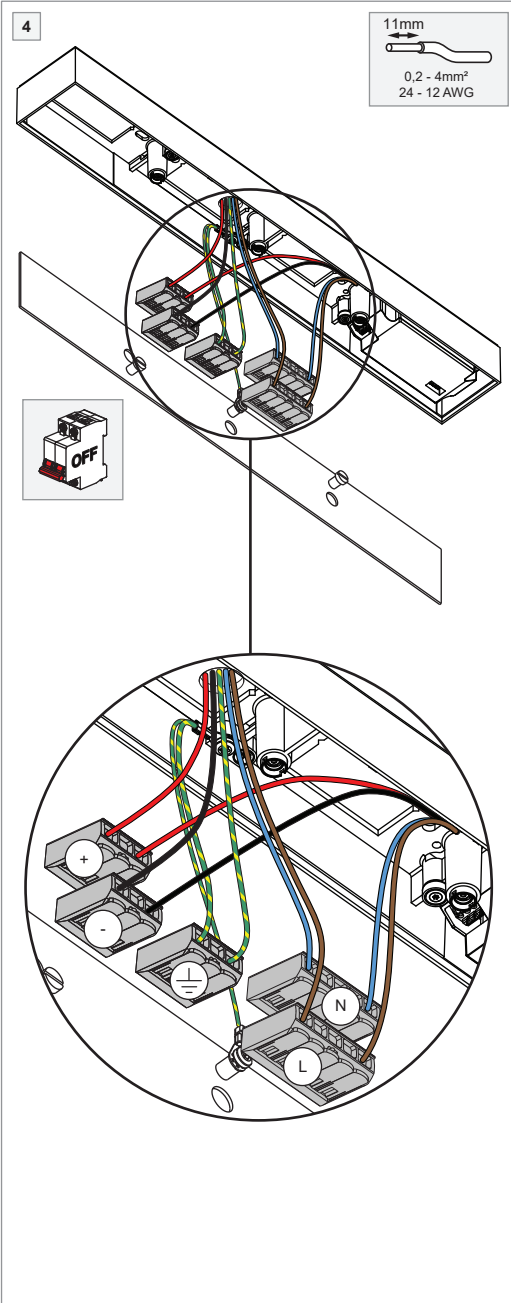
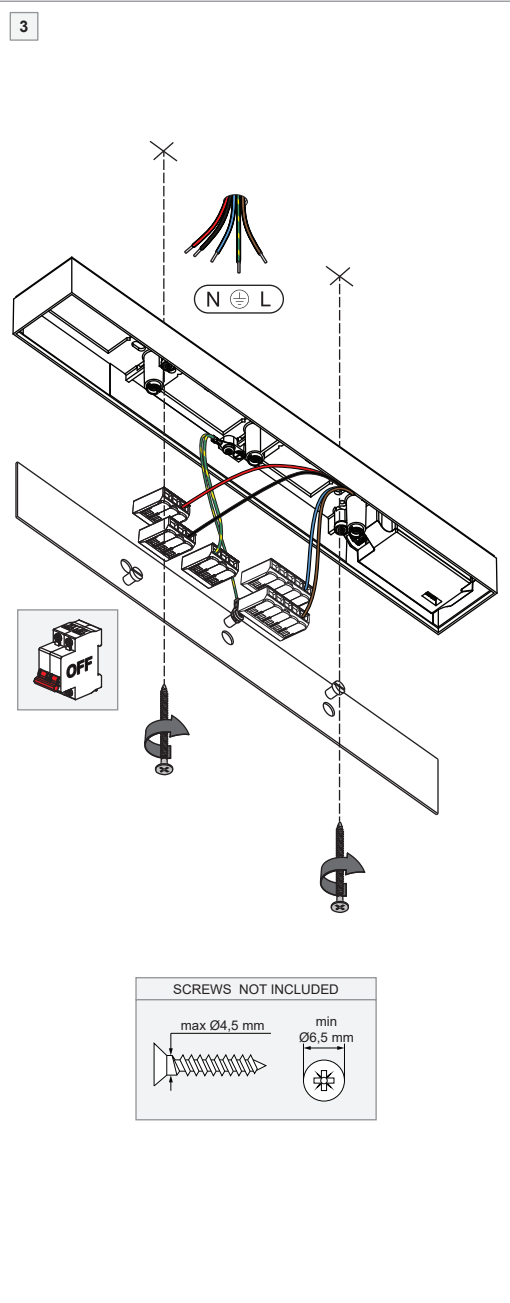
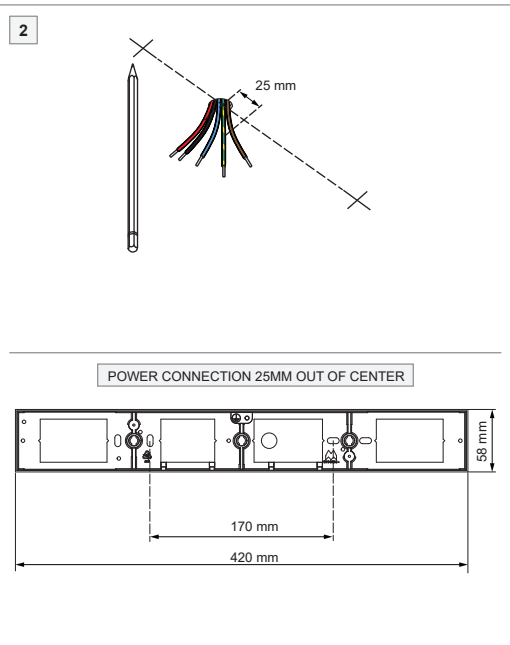
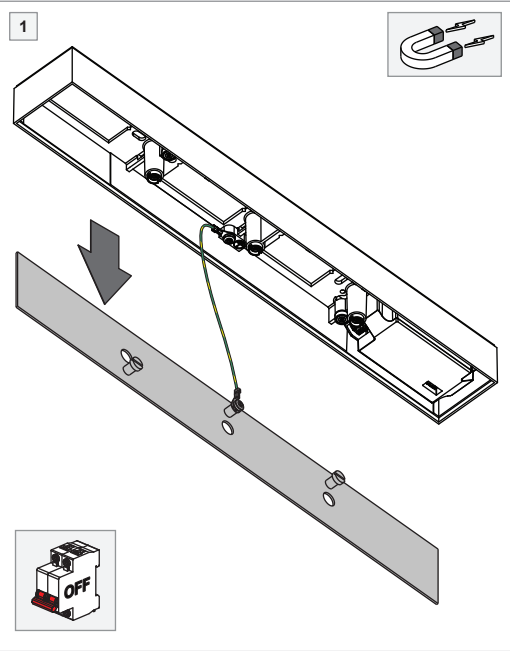



Ceiling base 420x58 1-10V GI for 3x jack

134912XX



PREVENTING ELECTROSTATIC DAMAGE

 A discharge of static electricity may damage sensitive components. Always be properly grounded when touching leads or circuitry inside the luminaire. Use a wrist strap connected by a ground cord to the housing. Avoid touching the light sources with bare hands.

DRIVERS & ACCESSORIES

For latest version of driver matrix and available accessories check www.supermodular.com or connect with your sales contact.

