



LUMINAIRE MODEL **LID SQUARE LED 15W 10424** CATALOGUE GROUP **—**
COUNTRY OF ORIGIN **MADE IN P.R.C.**

LIGHT SOURCE **LED**
LIGHT SOURCES TYPE **Integrated**
MAXIMUM WATTAGE **15W**
LAMP INCLUDES SOURCE OF LIGHT **Yes**
IP **IP20**
Interior use
LIFETIME **30000h**

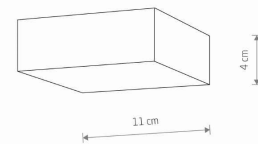
THIS PRODUCT 10424 CONTAINS A LIGHT SOURCE 11073 OF ENERGY EFFICIENCY CLASS: D

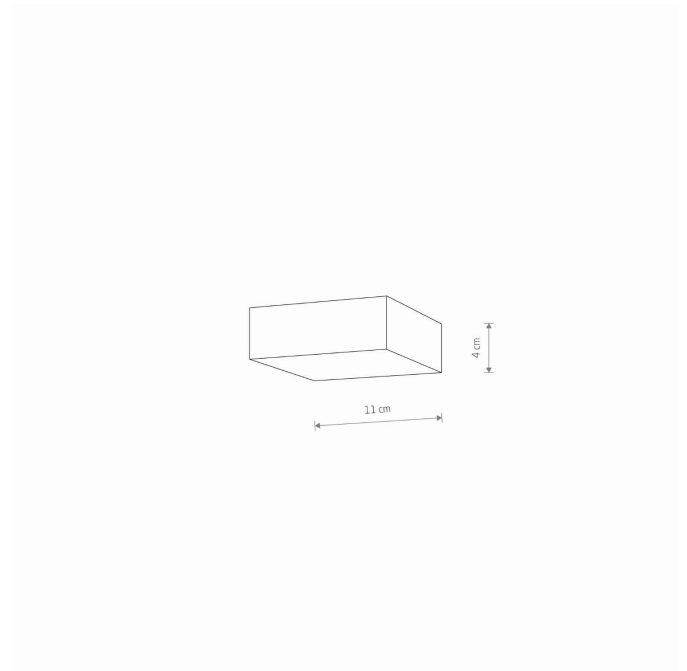


PACKAGE DIMENSIONS **12cm/12cm/5cm**
(L/W/H)
NET/GROSS WEIGHT **0.15kg/0.2kg**
ASSEMBLY METHOD **Direct assembly**
LEADING/SUPPLEMENTARY COLOR **Black,White**
MATERIALS **Plastic**
STYLE **Modern**
ELECTRICAL SECURITY CLASS **II**
POWER SUPPLY **~220-230V/50/60Hz**



DIMENSIONS





Item No.	POWER	COLOR TEMP	LUMEN	BEAM ANGLE	CRI	IP	LED BRAND	DRIVER BRAND	LIFETIME	WARRANTY
10424	15W	3000K	1200lm	120°	>80	IP20	—	—	30000h	—