



LUMINAIRE MODEL

**ORGANIC**  
**8303**

CATALOGUE GROUP  
COUNTRY OF ORIGIN

—  
**MADE IN POLAND**

LIGHT SOURCE **GX53**  
 LIGHT SOURCES TYPE **Replaceable**  
 MAXIMUM WATTAGE **1x12W**  
 LAMP INCLUDES SOURCE OF LIGHT **No**  
 NUMBER OF LIGHT SOURCES **1**  
 IP **IP20**  
**Interior use**



PACKAGE DIMENSIONS (L/W/H) **23,5cm/21,5cm/3,5cm**

NET/GROSS WEIGHT **0,39kg/0,48kg**

ASSEMBLY METHOD **Direct assembly**

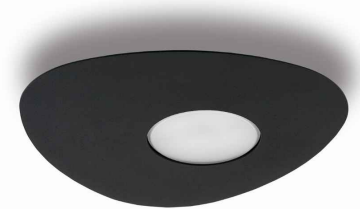
LEADING/SUPPLEMENTARY COLOR **Black**

MATERIALS **Painted steel**

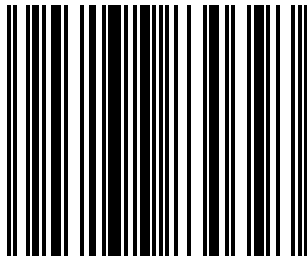
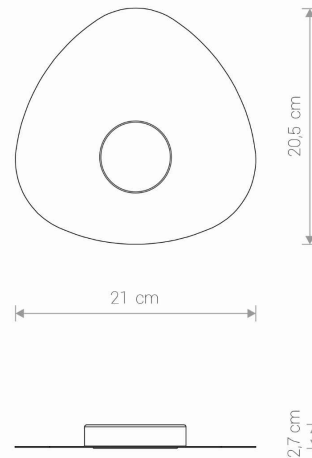
STYLE **Modern**

ELECTRICAL SECURITY CLASS **I**

POWER SUPPLY **~220-230V/50/60Hz**



DIMENSIONS



5 9 0 3 1 3 9 8 3 0 3 9 3