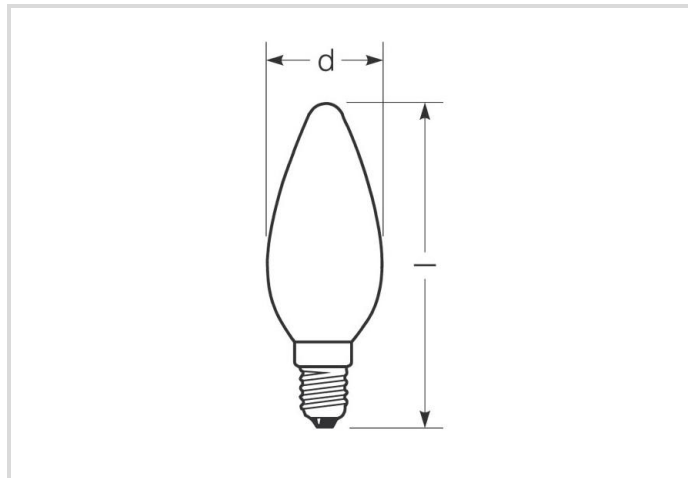


# LED Star Candle, frosted

RL-C40 DIM 927/F/E14

# Radium

Product Datasheet Date: 26.10.2024



D



2700K



25 000h



Dimmable



5 YEARS  
GUARANTEE

## General Data

Article No.	44020822
Code	RL-C40 DIM 927/F/E14
Product EAN	4008597208225
Box quantity (pcs.)	10
EAN Box	4008597508226
Gross weight of box in kg	0.64
Length of box in m	0.205
Width of box in m	0.087
Height of box in m	0.122
Product status	● Active

## Electric Parameters

Rated wattage	3.4 W
Weighted energy consumption in 1,000 hours	4 kWh
Lamp power	3.4 W
Nominal voltage	220-240 V
Voltage type	AC
Nominal current	19 mA

## Electric Parameters

Nominal current (mA)	19 mA
Inrush current	0.27 A
max. no. of lamps at 10A automatic fuse	37
max. no. of lamps at 16A automatic fuse	59

## Light Application Parameters

Luminous flux	470 lm
Rated luminous flux acc. IEC 62722-2-1	470 lm
Luminous flux	470 lm
Beam angle	300 °
Lamp efficacy	138 lm/W
Radium light colour	warmwhite
Color temperature	2700 K
Color coordinate X	0.4578
Color coordinate Y	0.4101
Color rendering index	≥ 90
Color Stability	≤ 6 sdc <sub>m</sub>

## Service Life

Average nominal lifespan	25000 h
Mean service life	25000 h
Min. number of switching cycles	20000
Guarantee	5 years

## Specification

Energy Label A to G	D
Diameter	35 mm
Length max.	97 mm
Length	97 mm
Burning position	any
Mercury content	0.0 mg
Material	Glass
Photobiological safety according to EN 62471	RG1
Lamp shape	Candle
Base	E14
Colour	White

## Notes on Operation

Degree of protection (IP)	IP20
Burning position	any
Mode of operation	230 V
Ambient temperatures	-20...+40 °C

## Information especially for EPREL

Lighting technology	LED
Mains/Non mains connectable	MLS
Directional or non-directional light	NDLS
Color tunable light source	No
Type of color temperature	SINGLE_VALUE
Displacement factor EPREL	0.50
Life factor EPREL	0.9
Flicker	1.0
Stroboscopic effect	0.4
EPREL ID number	1606477

## Notes

LED candle lamp for exchange with incandescent lamps, coated, dimmable, base E14. LED light does not contain UV or IR radiation.

Please, refer to [www.radium.de/recycling](http://www.radium.de/recycling) for notes on disposal of burned-out lamps as well as lamp breakage.

The "lifespan L70" described for LED lamps indicates the number of hours when the luminous flux has decreased to 70% of its initial value.

The optimal field 'info about service life' contains the frame conditions according to standards based on which the specific service life has been determined. So, for example, "12B50, 50Hz" means that the mean service life (B50) has been determined with a 12h switching cycle at mains (frequency 50Hz), "3B50, HF" is based on a 3h switching cycle at electronic control gear (high frequency).

### Base



E14  
IEC/EN 60061-1  
sheet 7004-23-6

### Spectrum

As daylight is a mixture of direct sunlight and light from the sky, the spectral distribution changes all the time due to the time of the day and the weather. The standard illuminant D65 corresponds to daylight with colour temperature of about 6500K.

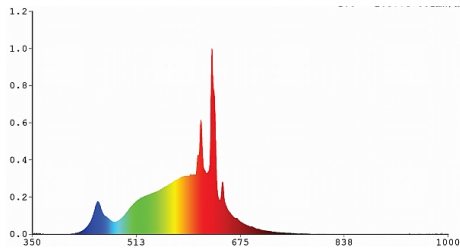
The colour of coloured LEDs depends on the chemical elements within the light generating chip. The coloured light is generated directly and does not need filtering.

White LEDs are either RGB (red + green + blue chip in one LED = light colour white) or blue LED-chips with yellow/orange phosphor in the resin. Visible region from 380 to 780 nm; height of graph corresponding with relative spectral emission (400mW/klm)per 10nm.

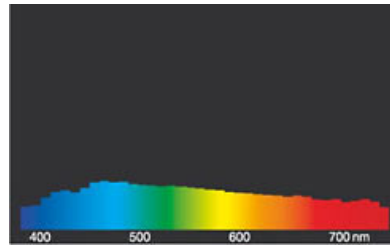
# LED Star Candle, frosted

RL-C40 DIM 927/F/E14

# Radium



LED-Retrofit-Lamps 2700K, very good color rendering CRI 90



daylight(D 65)

## Special features



## General notes

For LED replacement of halogen and incandescent lamps, we recommend direct replacement (1: 1) at the respective burning position. For new systems, the number of lamps in the circuit operated at control gear such as transformers or dimmers can be obtained from corresponding compatibility lists (if available). If there is no specification for the type of device or lamp required, for safety reasons, the replacement power shall be assumed as that of the original halogen type (eg "RL-MR16 35" -> 35W, independent of the real power consumption).

The technical design data in accordance with DIN and IEC. The producer does not take any responsibility for damage to persons or property in case of unsuitable operation or handling of the product. Operating data and dimensions are valid within the usual tolerances. Related lamp types (different bases, mains voltages) may be available on request. Sale and delivery are effected in accordance with the Radium Terms of Delivery and Payment valid on the day of conclusion of contract. Packing units offer economical advantages to the purchase and logistic department. Please match your quantity volume accordingly. For orders of a minimum quantity (clefs) with a lamp model the amount lower than the volume of each packaging unit, we will invoice 10 % additional charge per lamp type. Technical changes and terms of delivery are reserved. Manipulation of any kind to packaging or product is not permissible as this will violate Radium brand rights. Furthermore, technical properties of the product can change to its disadvantage or even destruction. Therefore, Radium cannot be responsible for consequential damages.

® = Registered trademark

Subject to change without notice. Errors and omissions excepted.

## Safety instructions

To ensure full light efficiency and product life, the permissible temperature ranges must be observed and dry environment ensured. When operated with existing control gear, their compatibility with the lamp must be checked.

All technical data without guarantee.