

Geometry Suspended Adjustable 672 1x LED DE

137500XX_A1

⚠️ FIXTURE MUST BE COMBINED WITH 'SUSPENSION KIT' & 'POWER FEED' - NOT INCLUDED

SUSPENSION KIT

110608XX - Suspension Kit Geometry Suspended Adjustable 672 4m
110609XX - Suspension Kit Geometry Suspended Adjustable 672 8m

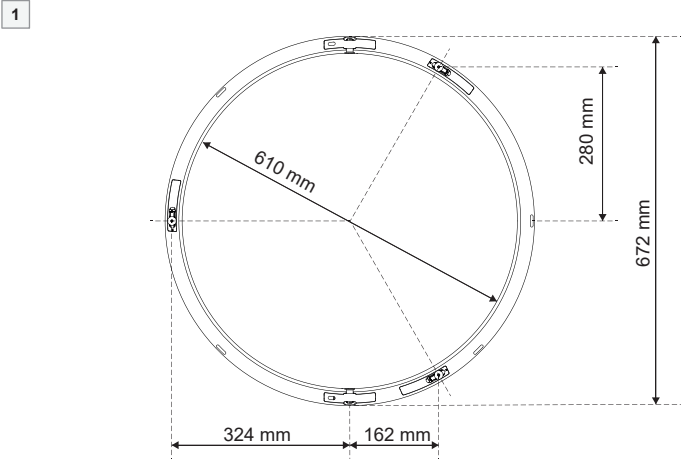


POWER FEED

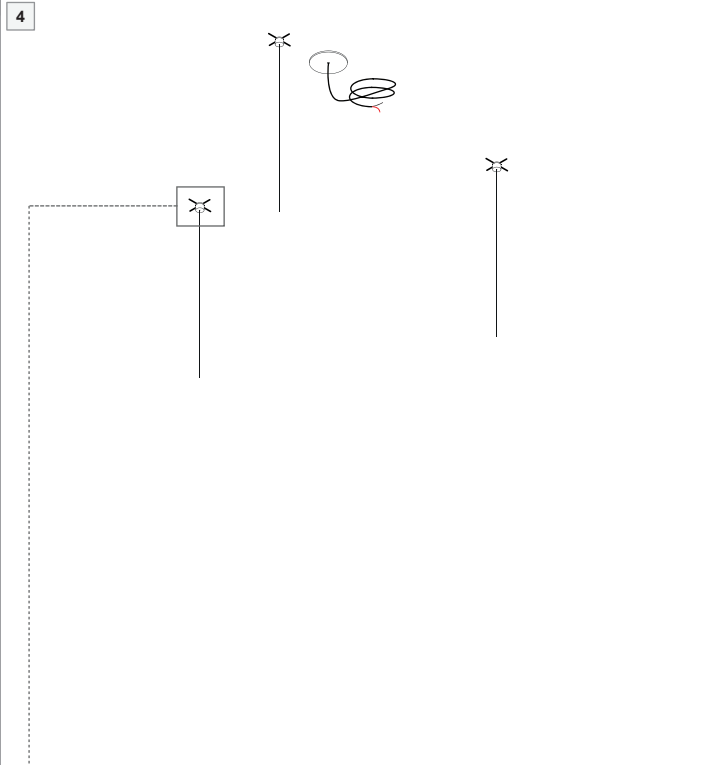
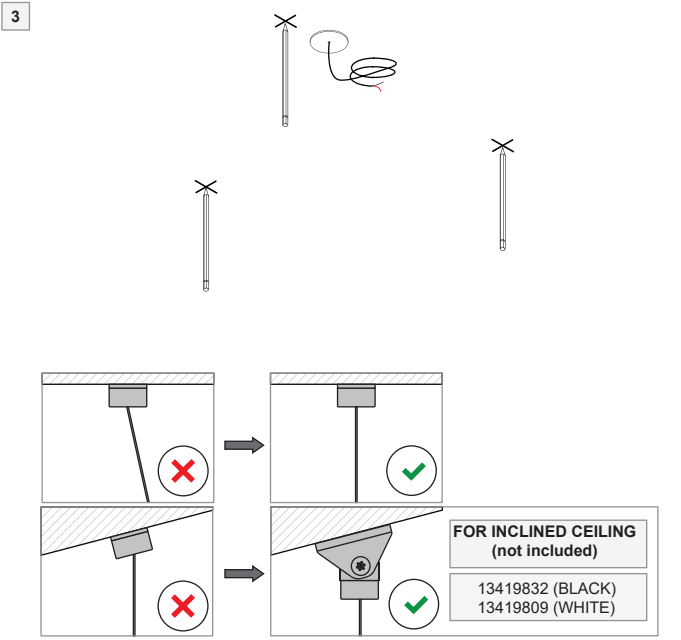
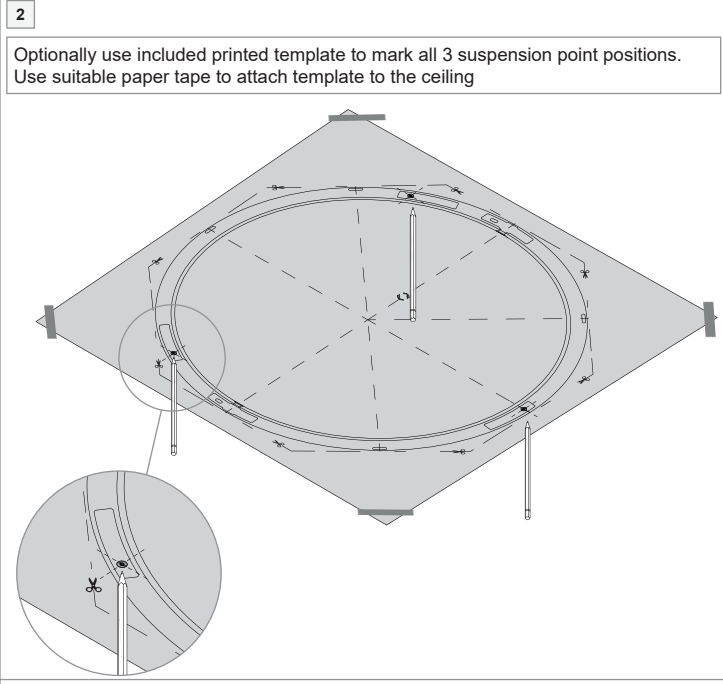
137200XX - Power Feed Recessed 2m
137201XX - Power Feed Recessed 6m



137202XX - Power Feed Surface 2m
137203XX - Power Feed Surface 6m



ELECTRICAL SPECS LED-FIXTURE	
Voltage (V)	Power (W)
24	21
+ RED	- BLACK
For parallel connection, respect polarity! Not suited for connection to mains voltage. Combine with a Modular LED-driver.	



⚡ LIGHT SOURCE - DO NOT TOUCH LED
Touching the LED can result in permanent damage of the light source. The light source and/or driver contained in this luminaire shall only be replaced by the manufacturer or his service agent or a similar qualified person.

⚡ ESD PREVENTING ELECTROSTATIC DAMAGE
A discharge of static electricity may damage sensitive components. Therefore do not touch the LED nor the stripped parts of the wires with bare hands. Always be properly insulated by using ESD gloves.

DRIVERS & ACCESSORIES
For latest version of driver matrix and available accessories check www.supermodular.com or connect with your sales contact.

