

Chival Wall UP/Down 2x LED 1800-3000K WD Medium DALI/Push-Dim

137605XX

1

ONLY VERTICAL WALL MOUNTING

SCREWS NOT INCLUDED

max Ø4,5 mm

max Ø8,5 mm

220-230V

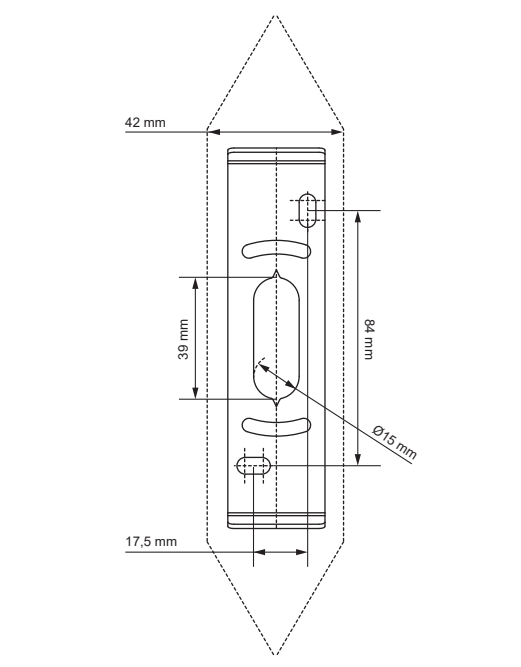
50-60Hz

N L

11mm

0,2 - 4mm²

24 - 12 AWG



2

1

2

2.a DALI DIAGRAM

2.b PUSHDIM DIAGRAM

N L

3

1.5

4

ON

LIGHT SOURCE - DO NOT TOUCH LED

Touching the LED can result in permanent damage of the light source. The light source and/or driver contained in this luminaire shall only be replaced by the manufacturer or his service agent or a similar qualified person.

PREVENTING ELECTROSTATIC DAMAGE

A discharge of static electricity may damage sensitive components. Therefore do not touch the LED nor the stripped parts of the wires with bare hands. Always be properly insulated by using ESD gloves.