

# Geometry Suspended Adjustable 672x1288 2x LED 3000K

137502XX

**⚠️ FIXTURE MUST BE COMBINED WITH 'SUSPENSION KIT' & 'POWER FEED' - NOT INCLUDED**

## SUSPENSION KIT

110610XX - Suspension Kit Geometry Suspended Adjustable 672x672/672x1288 4m  
 110611XX - Suspension Kit Geometry Suspended Adjustable 672x672/672x1288 8m

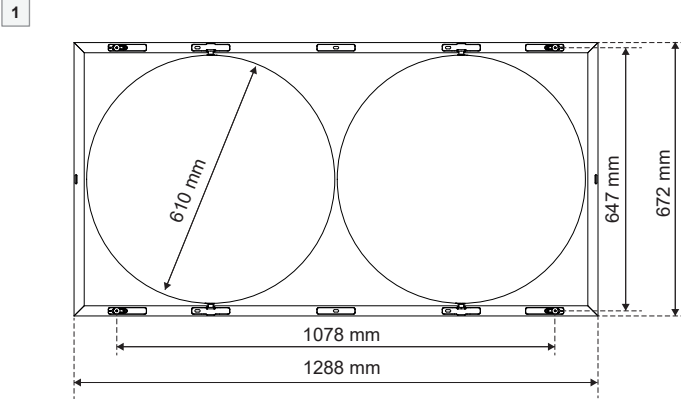


## POWER FEED

137200XX - Power Feed Recessed 2m  
 137201XX - Power Feed Recessed 6m



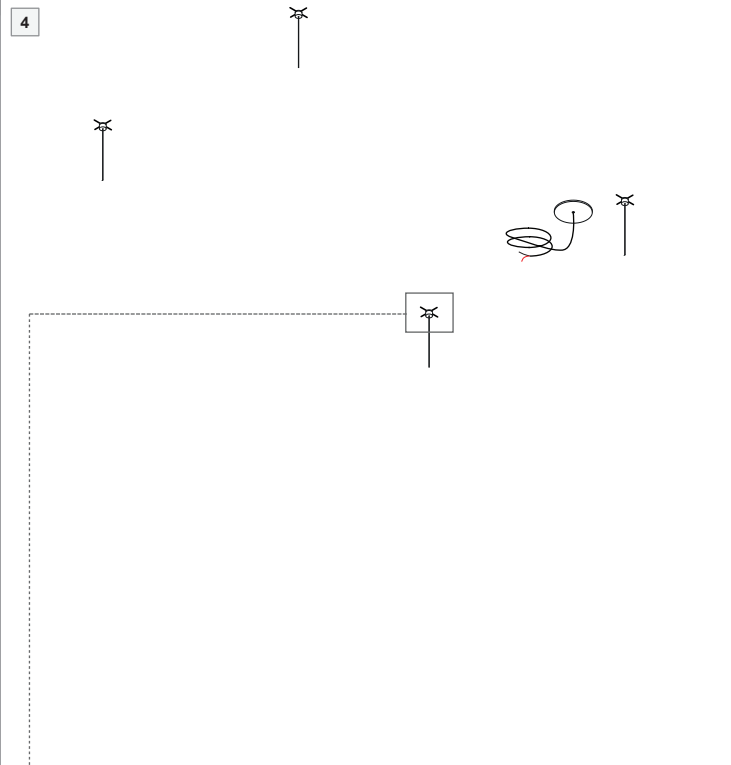
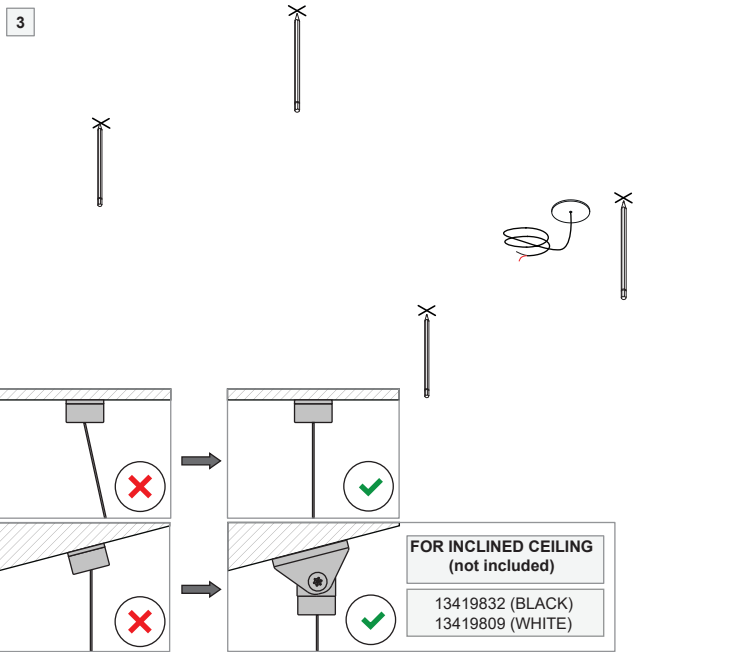
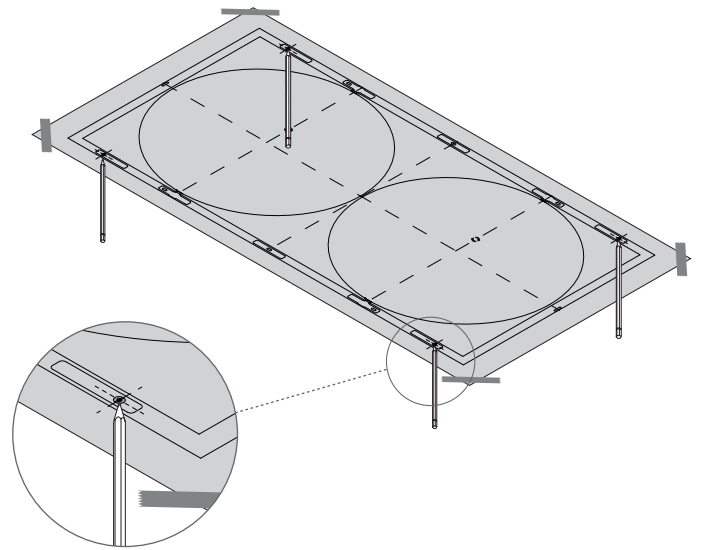
137202XX - Power Feed Surface 2m  
 137203XX - Power Feed Surface 6m



### ELECTRICAL SPECS LED-FIXTURE

Voltage (V)	Power (W)
24	42
<b>+</b> RED	<b>-</b> BLACK
For parallel connection, respect polarity! Not suited for connection to mains voltage. Combine with a Modular LED-driver.	

2  
 Optionally use included printed template to mark all 4 suspension point positions. Use suitable paper tape to attach template to the ceiling



**⚡ LIGHT SOURCE - DO NOT TOUCH LED**  
 Touching the LED can result in permanent damage of the light source. The light source and/or driver contained in this luminaire shall only be replaced by the manufacturer or his service agent or a similar qualified person.

**⚡ ESD PREVENTING ELECTROSTATIC DAMAGE**  
 A discharge of static electricity may damage sensitive components. Therefore do not touch the LED nor the stripped parts of the wires with bare hands. Always be properly insulated by using ESD gloves.

**DRIVERS & ACCESSORIES**  
 For latest version of driver matrix and available accessories check [www.supermodular.com](http://www.supermodular.com) or connect with your sales contact.

