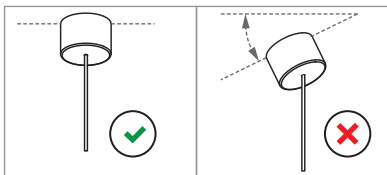
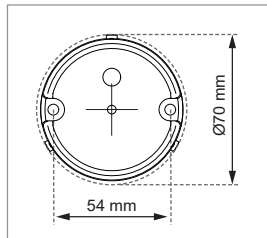
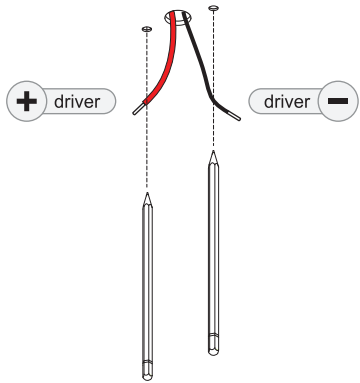


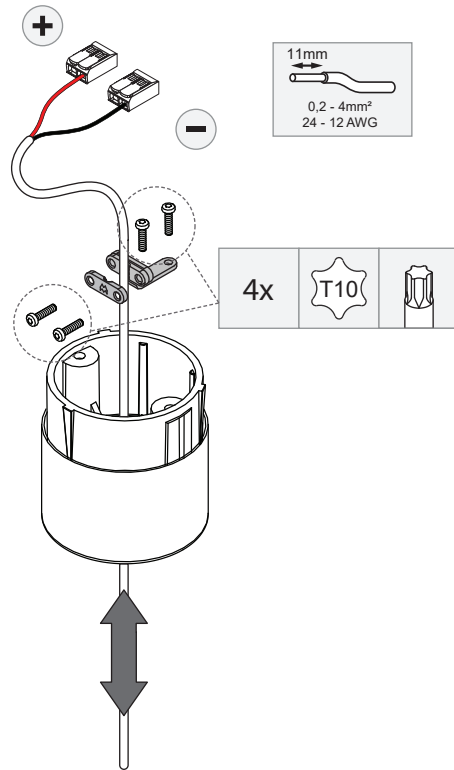
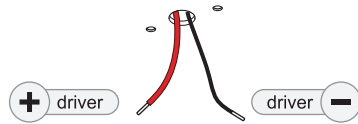
Power Feed Surface 2m/6m

137202XX_137203XX

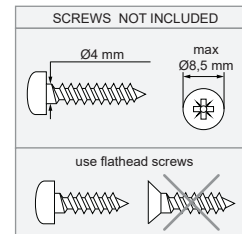
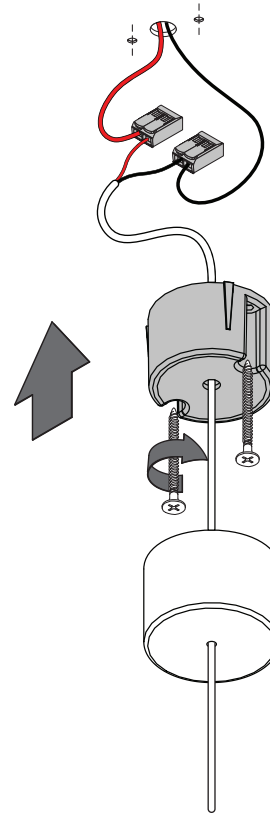
1 CHECK DIMENSIONS & PREPARE HOLE



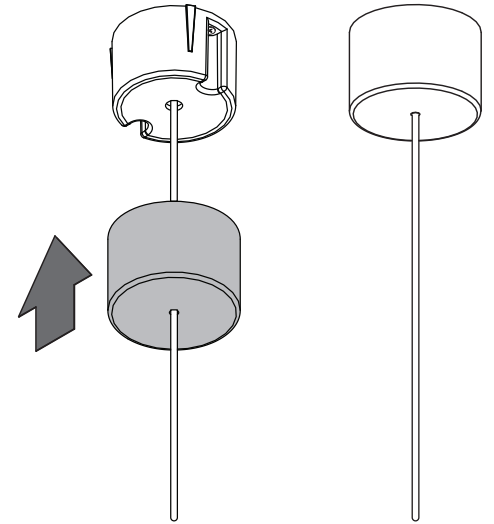
2 SHORTEN CABLE AND FIXATE STRAIN RELIEF



3 MAKE ELECTRICAL CONNECTION & MOUNT



4 SLIDE OVER COVER



DRIVERS & ACCESSORIES

For latest version of driver matrix and available accessories check www.supermodular.com or connect with your sales contact.