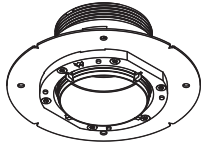


Concrete ring Ø50 for standard concrete boxes

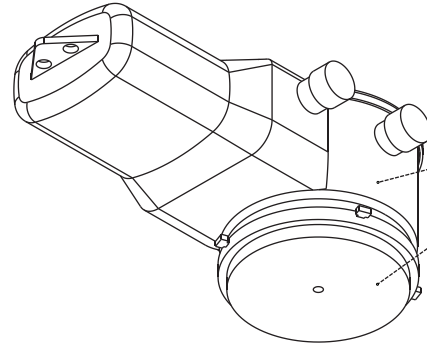
13642130

INCLUDED - 13642130 Concrete ring Ø50 for standard concrete boxes

COMPATIBLE WITH :
- Minute Recessed Trimless 49



NOT INCLUDED - CONCRETE INSTALLATION HOUSING

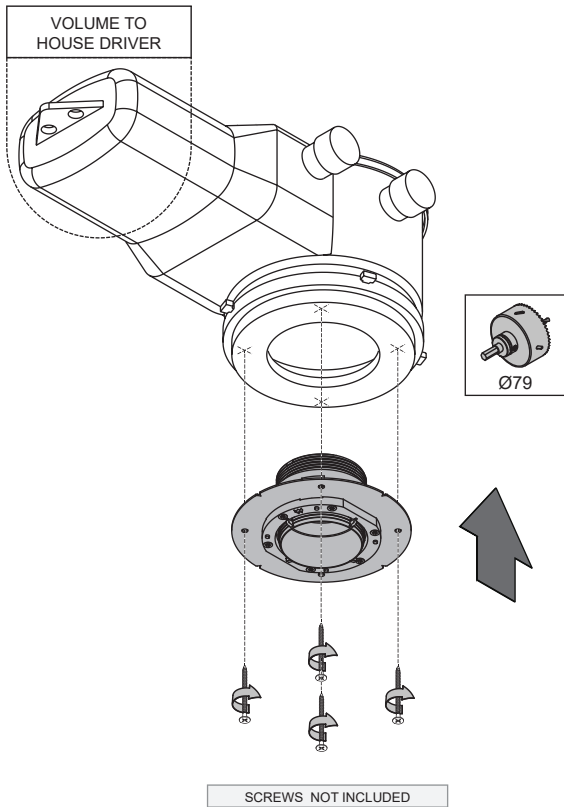


KAISER REFERENCE

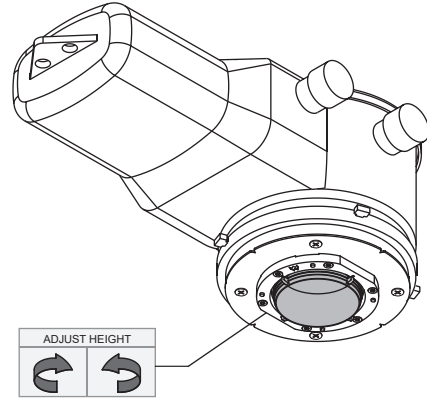
HALOX 100 with Tunnel 190
art ref 1281-30

HALOX 100 universal front
art rf 1281-11

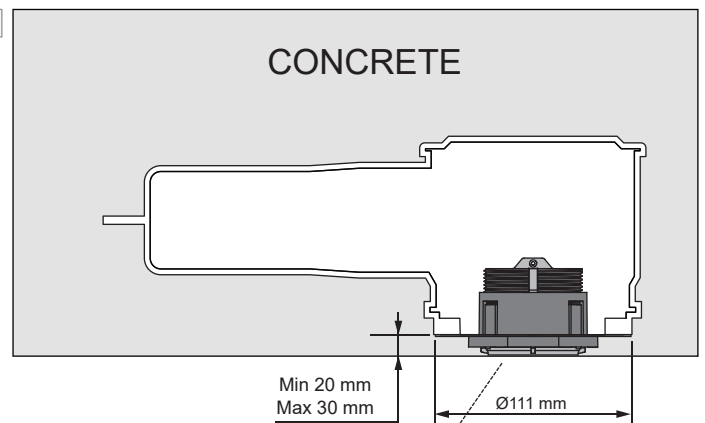
1



2



3



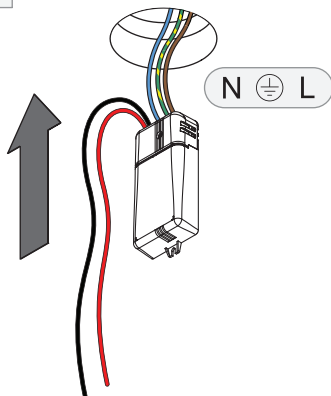
When pouring concrete, the concrete ring should be flush and parallel with the formwork.



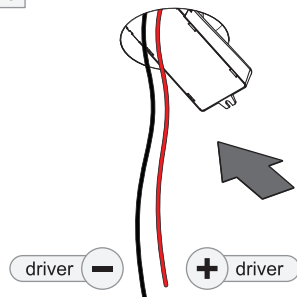
PREVENTING INSTALLATION PROBLEMS

Visual concrete is specialist work. Respect installation instructions of your choice of manufacturer of visual concrete installation housings. Modular Lighting Instruments can not be held responsible for a bad installation.

4



5



6

