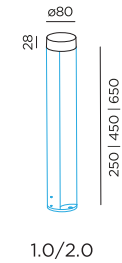


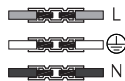
Keep the base clean and do not keep it covered with moss, leaves bark... Permanent moisture and possible chemical processes from eg. fertilization might lead in some occasions to a corrosive reaction.

DIMENSIONS

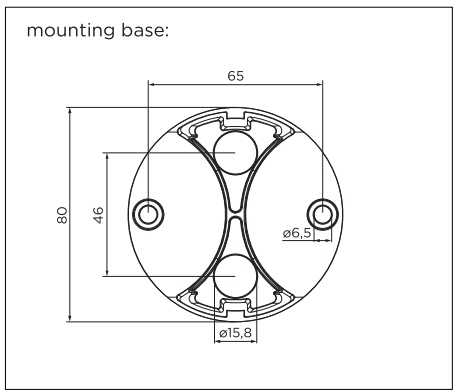


MOUNTING INSTRUCTION

- 1** Remove the mounting base from the pole by loosening the screws.
- 2** Guide the cable through the pole and insert the LED module into the pole.
- 3** Mount the base on the floor with screws (screws are not included).
- 4 POWER CONNECTION**
Connect to 220-240V. Connect the wires with the waterproof connections. Please see the detail method in the separate instruction sheet of waterproof connection.
- 5** Fix the pole on the mounting base with the socket screws.
- 6** Fix the luminaire on the pole with the socket screw(s).

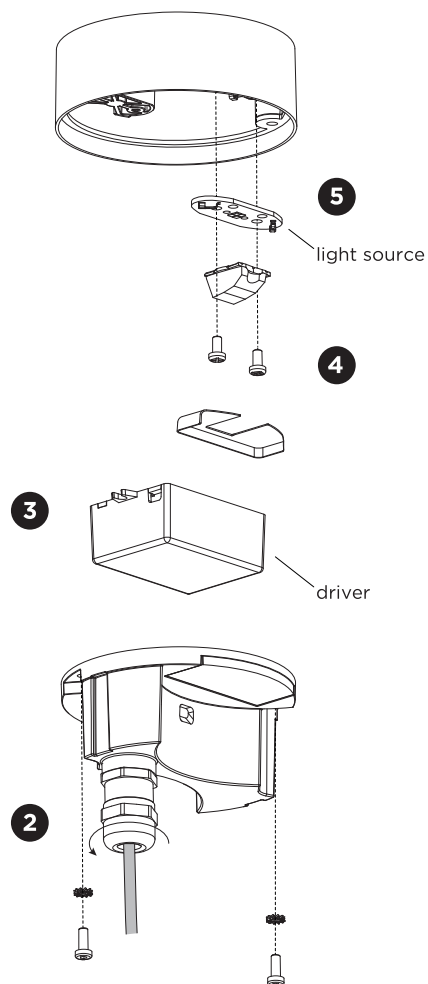
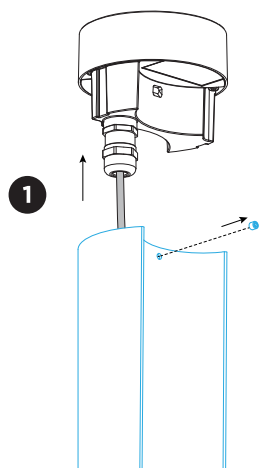
Included:
waterproof connectors: 

Optional:
IP68 connection box:
order ref. 73240707 = 2 WAYS 3x1,5 Ø8-10mm



GATE

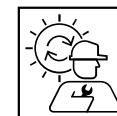
INSTALLATION INSTRUCTIONS | JANUARY 2024



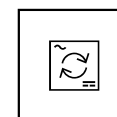
DISMOUNTING AND RECYCLING INSTRUCTIONS

Light source & driver

- 1 Unscrew the socket screw(s) and pull out the fixture from the pole.
- 2 Unscrew the screws and washers and loosen the cable gland to remove the adapter.
- 3 Pull out the driver and disconnect the wires to remove the driver.
- 4 Remove the reflector(s) and unscrew the lens(es).
- 5 Remove the light source(s).



The light source is replaceable by Wever & Ducré or by a professional with explicit authorisation. For more information please contact your local Wever & Ducré customer service point.



The driver can be replaced by the end user.



This luminaire contains a light source with the energy class F.



WEVER & DUCRÉ
LIGHTING

WEVER & DUCRÉ BV

Spinnerijstraat 99/21, 8500 Kortrijk, Belgium

weverducre.com