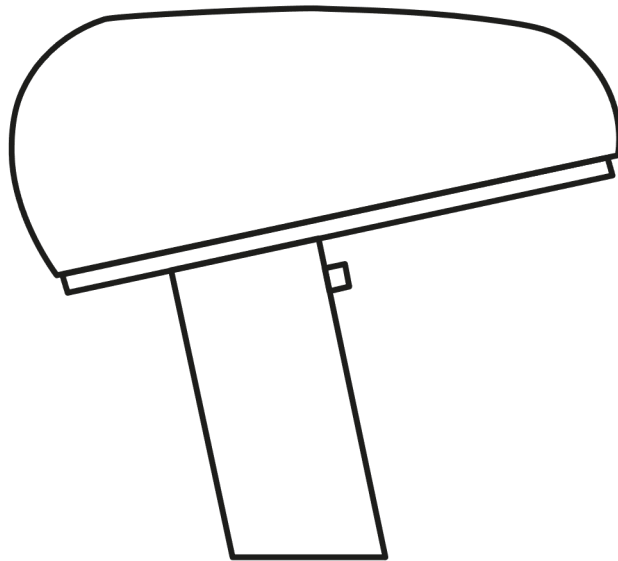


SNOOPY

Designed by Achille & Pier Giacomo Castiglioni, 1967

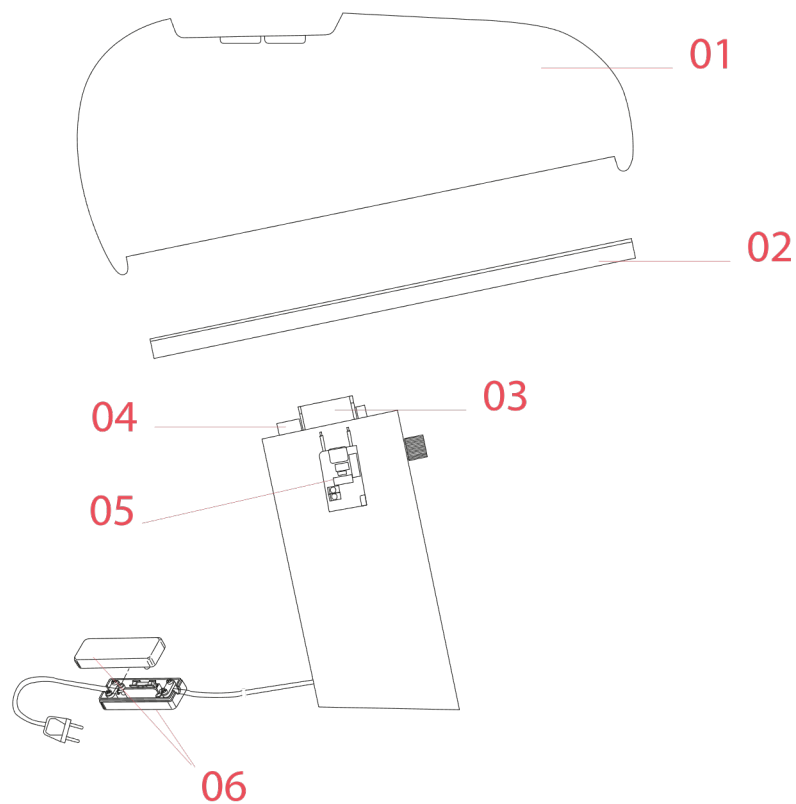
F6380030



SNOOPY

F6380030

EN



- 01. RF80966 – Black reflector
- 02. RF84656 – Glass diffuser
- 03. RF11912 – E27 Lamp holder
- 04. RF11919 – Ring nut
- 05. RF26254 – Electronic touch dimmer
- 06. RF12478 – Electrical assembly with fuse box

SNOOPY F6380030

EN

RF80966

BLACK REFLECTOR



WARNING! When installing and whenever acting on the appliance, ensure that the power supply has been switched off.
For the installation of the spare-part, it is necessary to consult a qualified electrician.

©2021 Flos - All rights reserved - www.flos.com
Flos reserves the right to introduce any changes to its own models, without prior notice.

SNOOPY F6380030

EN

RF80966

BLACK REFLECTOR

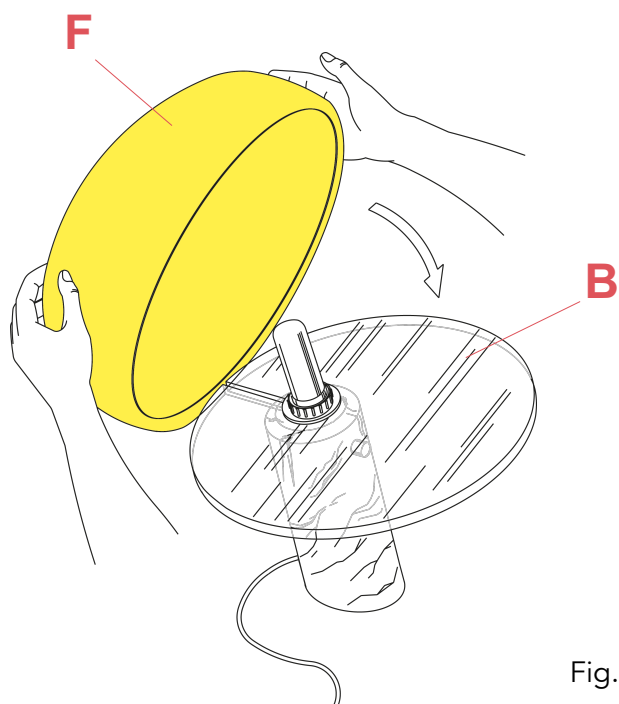


Fig.1

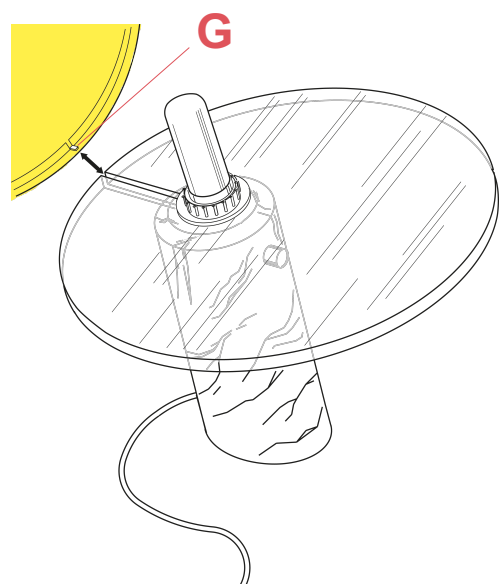


Fig.2

Position the reflector (F) on the glass (B) ensuring that the anti-rotation tooth (G) is inserted in the groove of the glass diffuser.

WARNING! When installing and whenever acting on the appliance, ensure that the power supply has been switched off. For the installation of the spare-part, it is necessary to consult a qualified electrician.

SNOOPY F6380030

EN

RF84656

GLASS DIFFUSER



WARNING! When installing and whenever acting on the appliance, ensure that the power supply has been switched off.
For the installation of the spare-part, it is necessary to consult a qualified electrician.

©2021 Flos - All rights reserved - www.flos.com

Flos reserves the right to introduce any changes to its own models, without prior notice.

SNOOPY F6380030

EN

RF84656

GLASS DIFFUSER

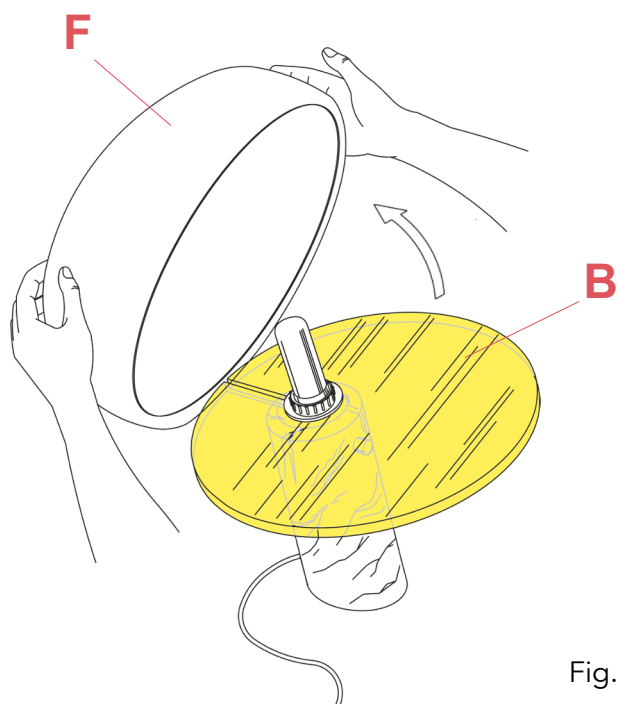


Fig.1

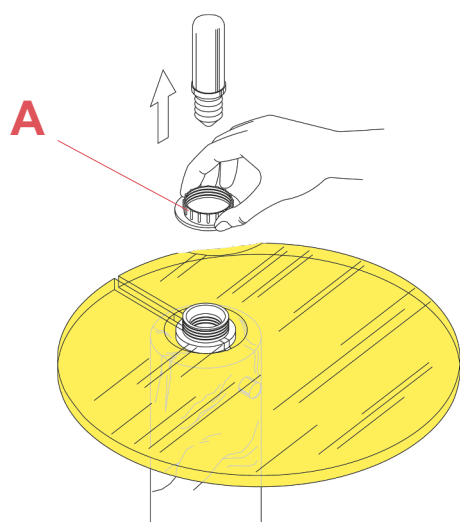


Fig.2

Remove the reflector (F) from the glass diffuser (B) that needs to be replaced.

Remove the glass diffuser (B) by removing the lamp-bulb and unfastening the locking ring nut (A).

WARNING! When installing and whenever acting on the appliance, ensure that the power supply has been switched off. For the installation of the spare-part, it is necessary to consult a qualified electrician.

SNOOPY F6380030

EN

RF84656

GLASS DIFFUSER

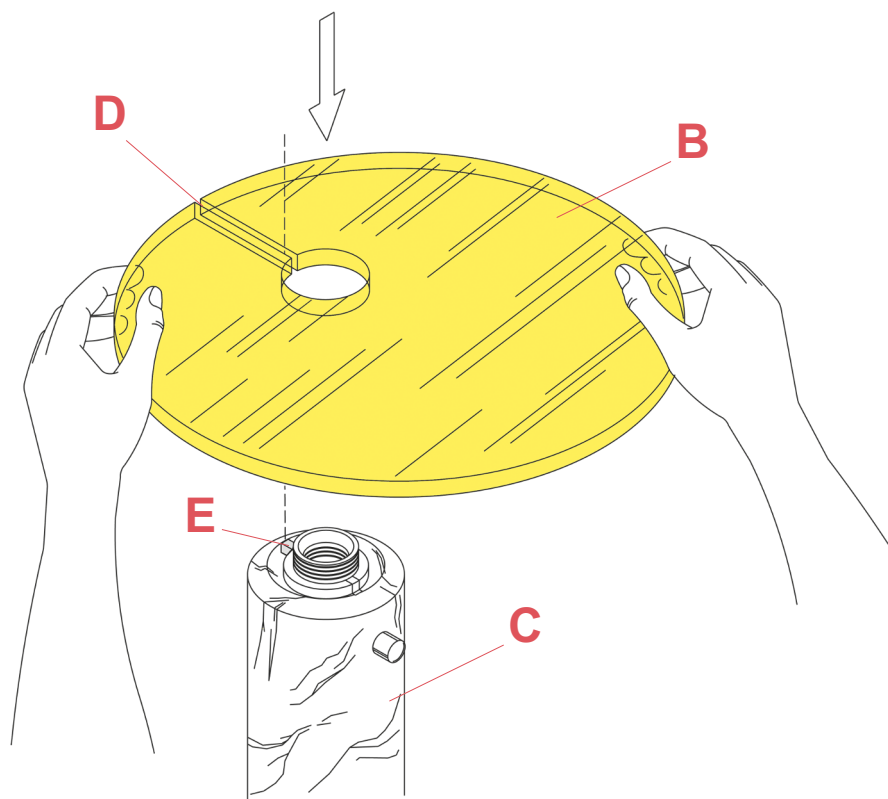


Fig.3

Assemble now the new spare-part:

Place the glass diffuser (B) on the main body (C) ensuring that the groove (D) corresponds perfectly to the reference tooth (E).

Lock the glass diffuser (B) by fastening the locking nut (A) (fig.2 page 6) and insert the lamp-bulb.

Position the reflector (F) on the glass diffuser (B) ensuring that the anti-rotation tooth (G) is inserted in the groove of the glass diffuser. (fig.1 page 6)

WARNING! When installing and whenever acting on the appliance, ensure that the power supply has been switched off. For the installation of the spare-part, it is necessary to consult a qualified electrician.

SNOOPY F6380030

EN

RF11912

E27 LAMP HOLDER



WARNING! When installing and whenever acting on the appliance, ensure that the power supply has been switched off.
For the installation of the spare-part, it is necessary to consult a qualified electrician.

©2021 Flos - All rights reserved - www.flos.com
Flos reserves the right to introduce any changes to its own models, without prior notice.

SNOOPY F6380030

EN

RF11912

E27 LAMP HOLDER

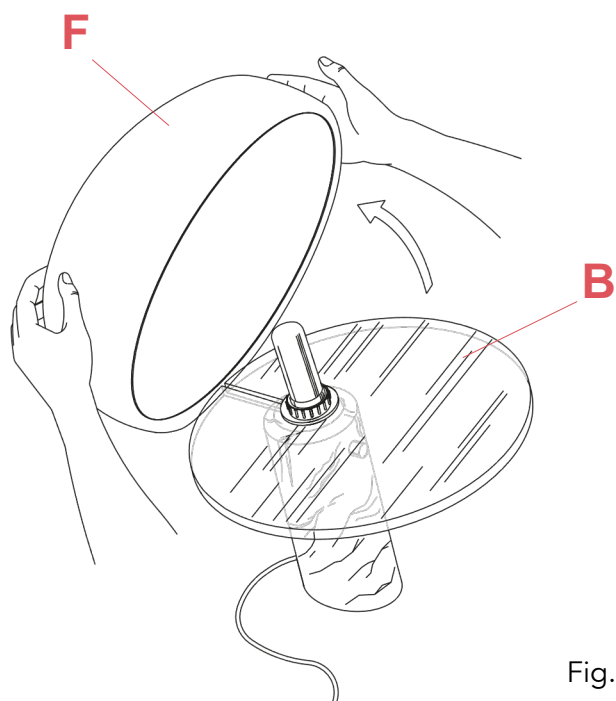


Fig.1

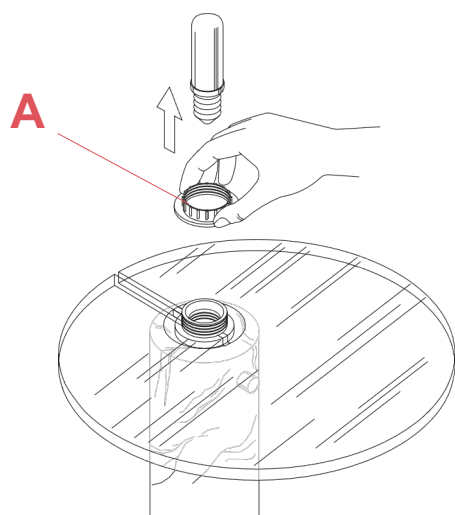


Fig.2

Remove the reflector (F) from the glass diffuser (B).

Remove the lamp-bulb and unfasten the locking ring nut (A).

WARNING! When installing and whenever acting on the appliance, ensure that the power supply has been switched off. For the installation of the spare-part, it is necessary to consult a qualified electrician.

SNOOPY F6380030

EN

RF11912

E27 LAMP HOLDER

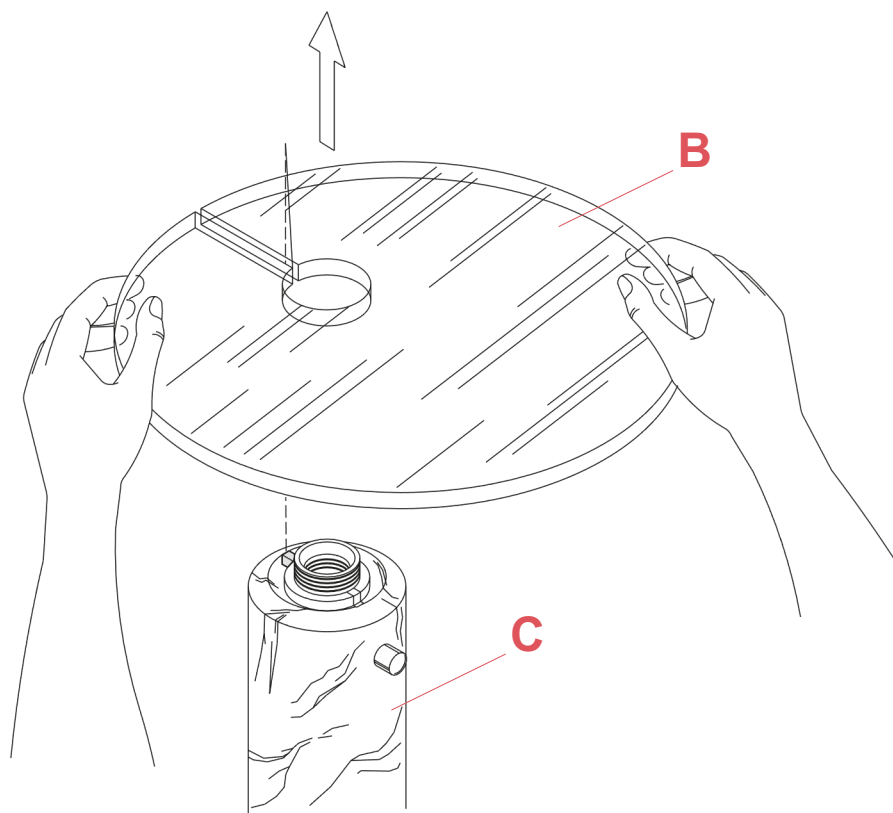


Fig.3

Delicately remove the glass diffuser (B) from the lamp body (C).

WARNING! When installing and whenever acting on the appliance, ensure that the power supply has been switched off.
For the installation of the spare-part, it is necessary to consult a qualified electrician.

SNOOPY F6380030

EN

RF11912

E27 LAMP HOLDER



Fig.4

Turn upside down the lamp body (C) and remove the black base cover (D) by utilizing a flat screw driver.



Fig.5

By utilizing a tiny flat screw driver, carefully push towards the inside the side spring of the lamp holder in away to free the sleeve of the lamp holder.

WARNING! When installing and whenever acting on the appliance, ensure that the power supply has been switched off. For the installation of the spare-part, it is necessary to consult a qualified electrician.

SNOOPY F6380030

EN

RF11912

E27 LAMP HOLDER



Fig.6



Fig.7

Remove the sleeve (G) from the lamp holder assembly by unfastening it.
Unfasten the locking screw (H) by utilizing an Allen key.

WARNING! When installing and whenever acting on the appliance, ensure that the power supply has been switched off.
For the installation of the spare-part, it is necessary to consult a qualified electrician.

RF11912

E27 LAMP HOLDER

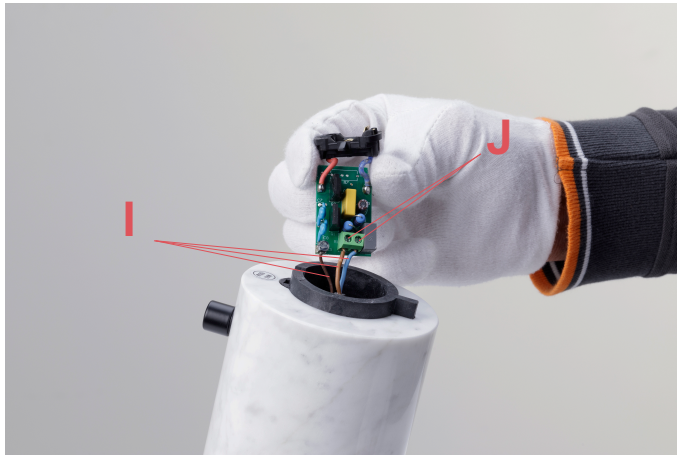


Fig.8

Lift up the lamp holder assembly with the touch dimmer (printed circuit board) from the lamp body and free the electrical cable assembly that needs to be replaced by disconnecting the electrical wires (I) through the terminals (J).

Unfasten the internal screw (K) of the lamp holder support (L).

Unfasten the lamp holder support (L) from the lamp body.

Assemble now the new spare-part:

Fasten the new lamp holder support (L) on the threaded pin inside the lamp body. Lock the lamp support (L) by fastening the internal screw (K).

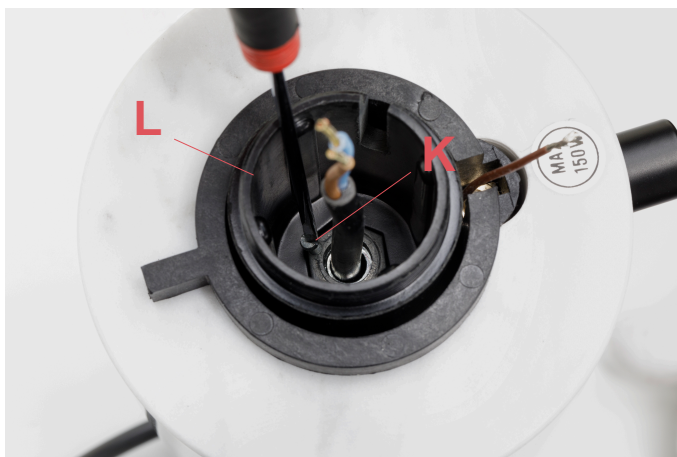


Fig.9

Connect the electrical wires (I) to the touch dimmer by respecting the polarities indicated in correspondence of the connection terminal (J). Connect the Brown (live) wire in the terminal indicated with "L" and then connect the Blue (neutral) wire in the other terminal indicated with "N".

Position back the lamp holder assembly onto the lamp body and fasten back the locking screw (H) by utilizing an Allen key. Screw back-on the lamp holder the sleeve (G).

Turn upside down the lamp body (C) and place back the black base cover (D).

Place the glass diffuser (B) on the main body (C) ensuring that the groove (D) corresponds perfectly to the reference tooth (E). Lock the glass diffuser (B) by fastening the locking nut (A) and insert the lamp-bulb.

Position the reflector (F) on the glass (B) ensuring that the anti-rotation tooth (G) is inserted in the groove of the glass diffuser.

WARNING! When installing and whenever acting on the appliance, ensure that the power supply has been switched off. For the installation of the spare-part, it is necessary to consult a qualified electrician.

SNOOPY F6380030

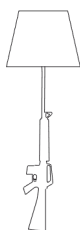
EN

RF11919

RING NUT



Bedside
Gun
p.17



Lounge
Gun
p.09



Table
Gun
p.17



Snoopy
p.15

WARNING! When installing and whenever acting on the appliance, ensure that the power supply has been switched off.
For the installation of the spare-part, it is necessary to consult a qualified electrician.

SNOOPY F6380030

EN

RF11919

RING NUT

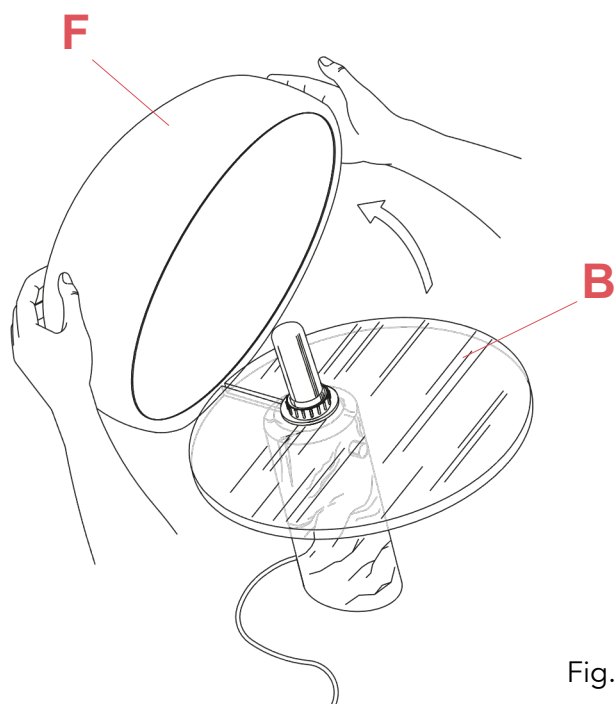


Fig.1

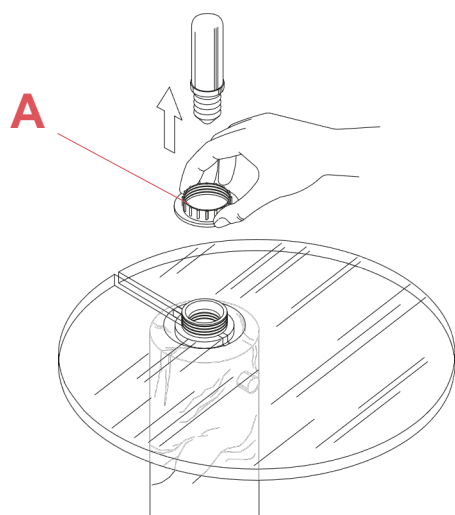


Fig.2

Remove the reflector (F) from the glass diffuser (B).

Remove the lamp-bulb and unfasten the locking ring nut (A).

WARNING! When installing and whenever acting on the appliance, ensure that the power supply has been switched off.
For the installation of the spare-part, it is necessary to consult a qualified electrician.

SNOOPY F6380030

EN

RF11919

RING NUT

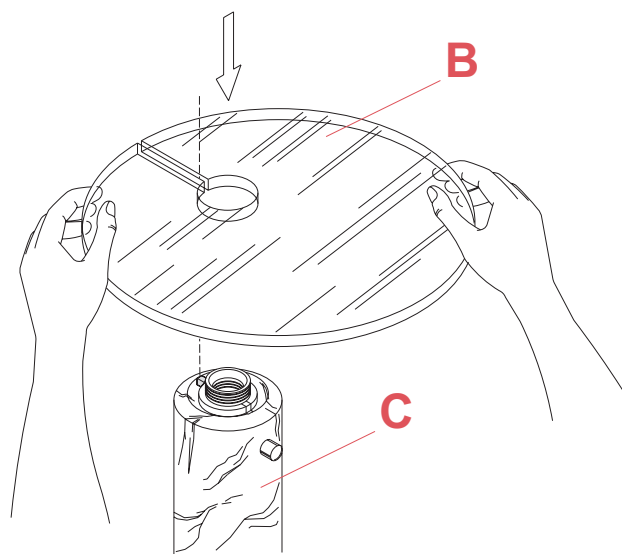


Fig.3

Place the glass diffuser (B) on the main body (C) ensuring that the groove (D) corresponds perfectly to the reference tooth (E). Lock the glass diffuser (B) by fastening the new locking nut (A) and insert the lamp-bulb.

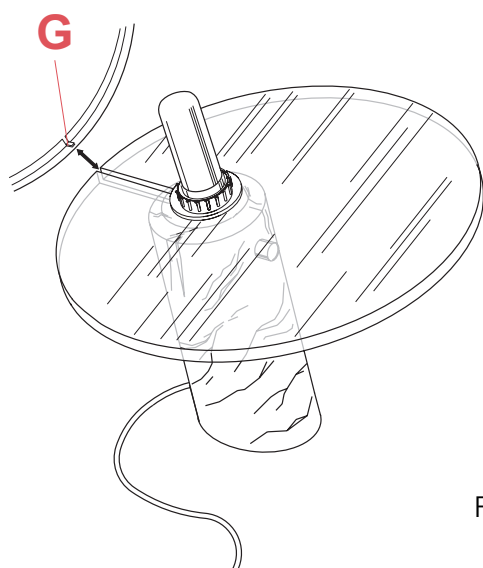


Fig.4

Position the reflector (F) (fig.1 page 15) on the glass (B) ensuring that the anti-rotation tooth (G) is inserted in the groove of the glass diffuser.

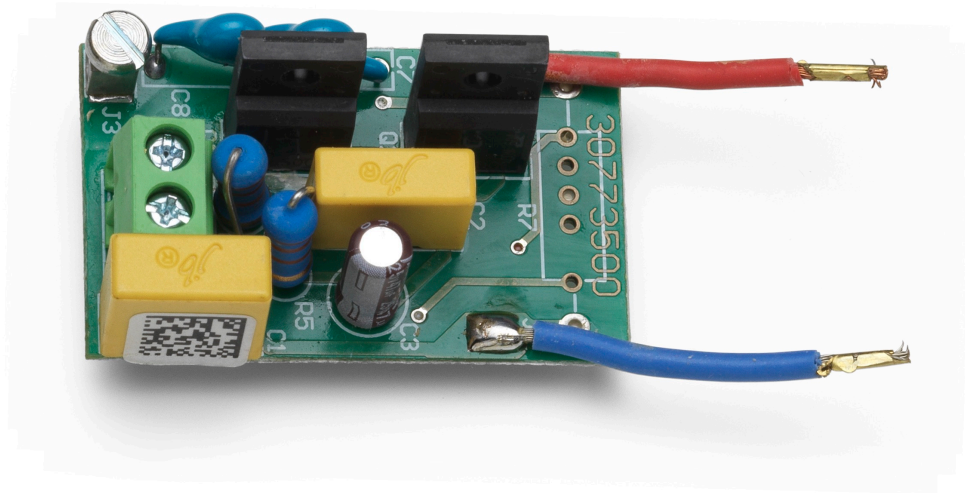
WARNING! When installing and whenever acting on the appliance, ensure that the power supply has been switched off. For the installation of the spare-part, it is necessary to consult a qualified electrician.

SNOOPY F6380030

EN

RF26254

ELECTRONIC TOUCH DIMMER



WARNING! When installing and whenever acting on the appliance, ensure that the power supply has been switched off. For the installation of the spare-part, it is necessary to consult a qualified electrician.

©2021 Flos - All rights reserved - www.flos.com
Flos reserves the right to introduce any changes to its own models, without prior notice.

SNOOPY F6380030

EN

RF26254

ELECTRONIC TOUCH DIMMER

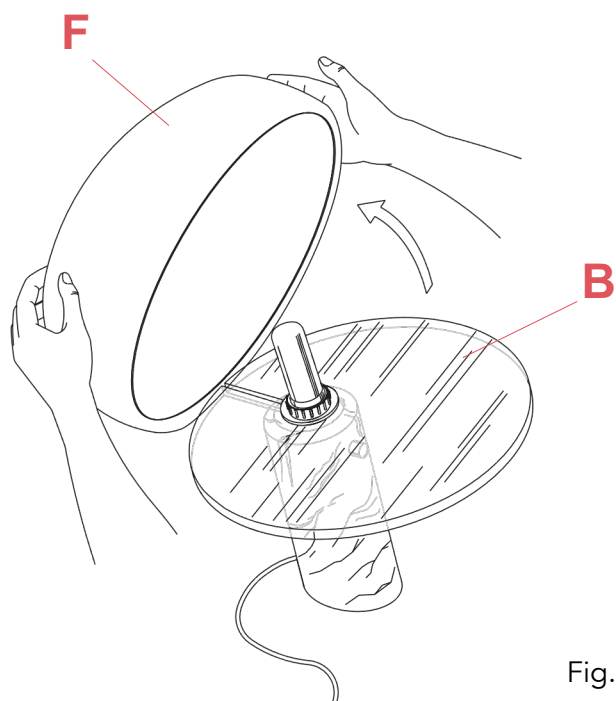


Fig.1

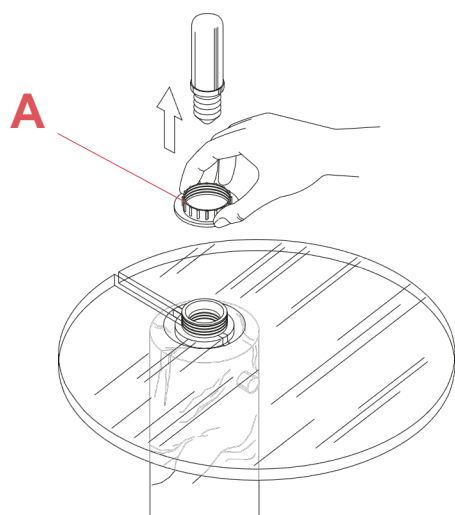


Fig.2

Remove the reflector (F) from the glass diffuser (B).

Remove the lamp-bulb and unfasten the locking ring nut (A).

WARNING! When installing and whenever acting on the appliance, ensure that the power supply has been switched off. For the installation of the spare-part, it is necessary to consult a qualified electrician.

SNOOPY F6380030

EN

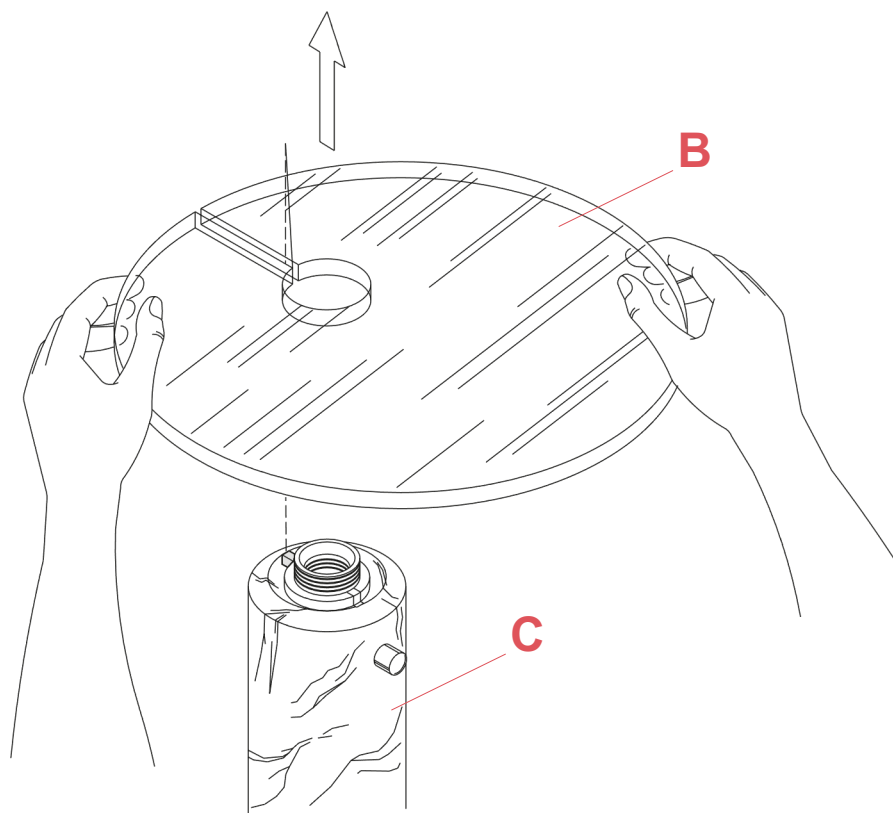
RF26254
ELECTRONIC TOUCH DIMMER

Fig.3

Delicately remove the glass diffuser (B) from the lamp body (C).

WARNING! When installing and whenever acting on the appliance, ensure that the power supply has been switched off.
For the installation of the spare-part, it is necessary to consult a qualified electrician.

SNOOPY F6380030

EN

RF26254

ELECTRONIC TOUCH DIMMER



Fig.4

Turn upside down the lamp body (C) and remove the black base cover (D) by utilizing a flat screw driver.



Fig.5

By utilizing a tiny flat screw driver, carefully push towards the inside the side spring of the lamp holder in away to free the sleeve of the lamp holder.

WARNING! When installing and whenever acting on the appliance, ensure that the power supply has been switched off.
For the installation of the spare-part, it is necessary to consult a qualified electrician.

SNOOPY F6380030

EN

RF26254

ELECTRONIC TOUCH DIMMER



Fig.6

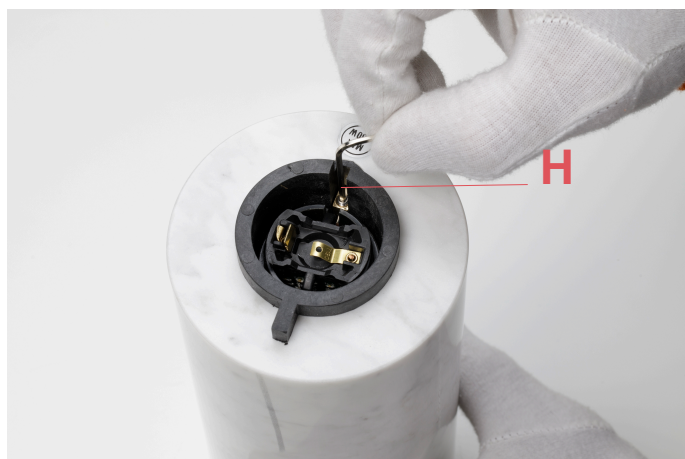


Fig.7

Remove the sleeve (G) from the lamp holder assembly by unfastening it.
Unfasten the locking screw (H) by utilizing an Allen key.

WARNING! When installing and whenever acting on the appliance, ensure that the power supply has been switched off.
For the installation of the spare-part, it is necessary to consult a qualified electrician.

RF26254

ELECTRONIC TOUCH DIMMER

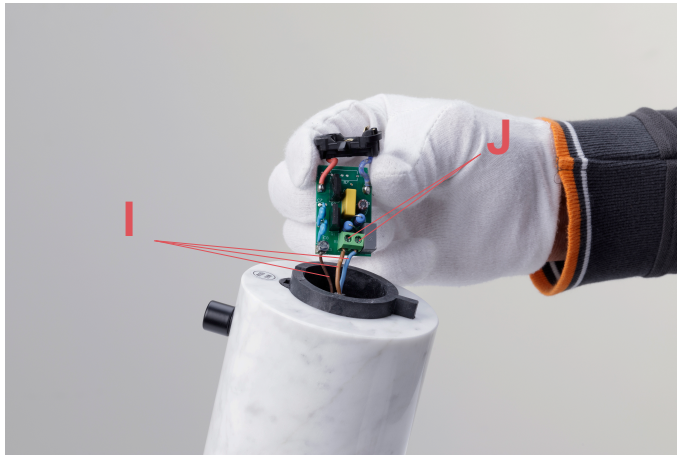


Fig.8

Lift up the lamp holder assembly with the touch dimmer (printed circuit board) from the lamp body and free the electrical cable assembly that needs to be replaced by disconnecting the electrical wires (I) through the terminals (J).

Assemble now the new spare-part:

Connect the electrical wires (I) to the touch dimmer by respecting the polarities indicated in correspondence of the connection terminal (J). Connect the Brown (live) wire in the terminal indicated with "L" and then connect the Blue (neutral) wire in the other terminal indicated with "N".

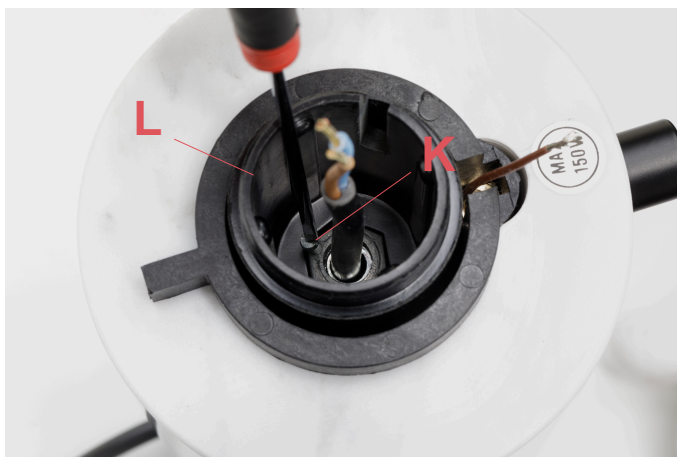


Fig.9

Position back the lamp holder assembly onto the lamp body and fasten back the locking screw (H) by utilizing an Allen key. Screw back-on the lamp holder the sleeve (G).

Turn upside down the lamp body (C) and place back the black base cover (D).

Place the glass diffuser (B) on the main body (C) ensuring that the groove (D) corresponds perfectly to the reference tooth (E). Lock the glass diffuser (B) by fastening the locking nut (A) and insert the lamp-bulb.

Position the reflector (F) on the glass (B) ensuring that the anti-rotation tooth (G) is inserted in the groove of the glass diffuser.

WARNING! When installing and whenever acting on the appliance, ensure that the power supply has been switched off. For the installation of the spare-part, it is necessary to consult a qualified electrician.

SNOOPY F6380030

EN

RF12478

ELECTRICAL ASSEMBLY WITH FUSE BOX



WARNING! When installing and whenever acting on the appliance, ensure that the power supply has been switched off.
For the installation of the spare-part, it is necessary to consult a qualified electrician.

SNOOPY F6380030

EN

RF12478

ELECTRICAL ASSEMBLY WITH FUSE BOX

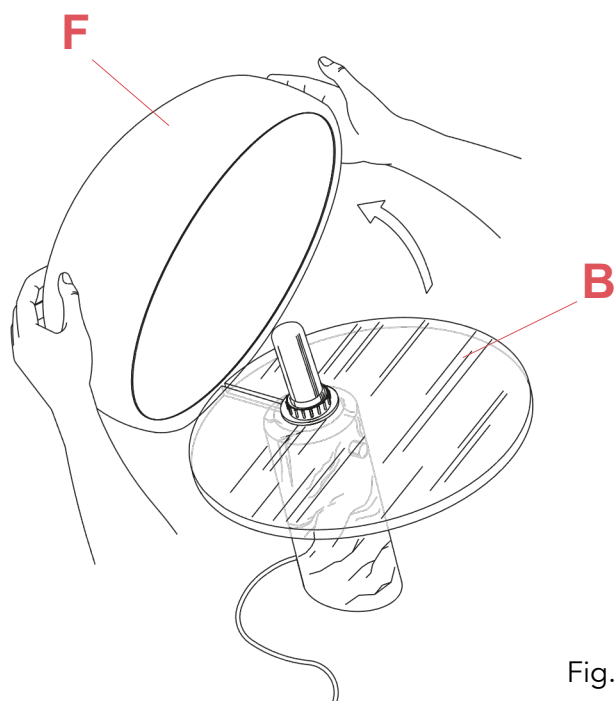


Fig.1

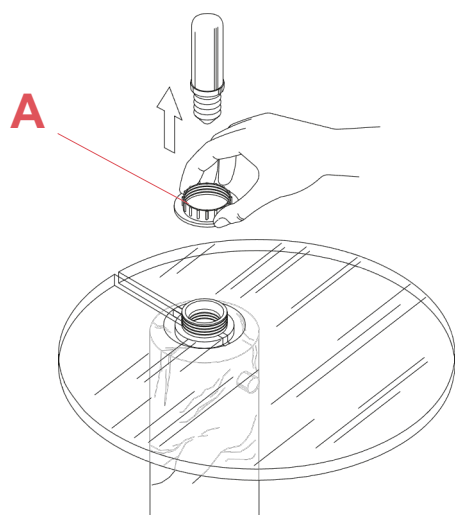


Fig.2

Remove the reflector (F) from the glass diffuser (B).

Remove the lamp-bulb and unfasten the locking ring nut (A).

WARNING! When installing and whenever acting on the appliance, ensure that the power supply has been switched off. For the installation of the spare-part, it is necessary to consult a qualified electrician.

SNOOPY F6380030

EN

RF12478

ELECTRICAL ASSEMBLY WITH FUSE BOX

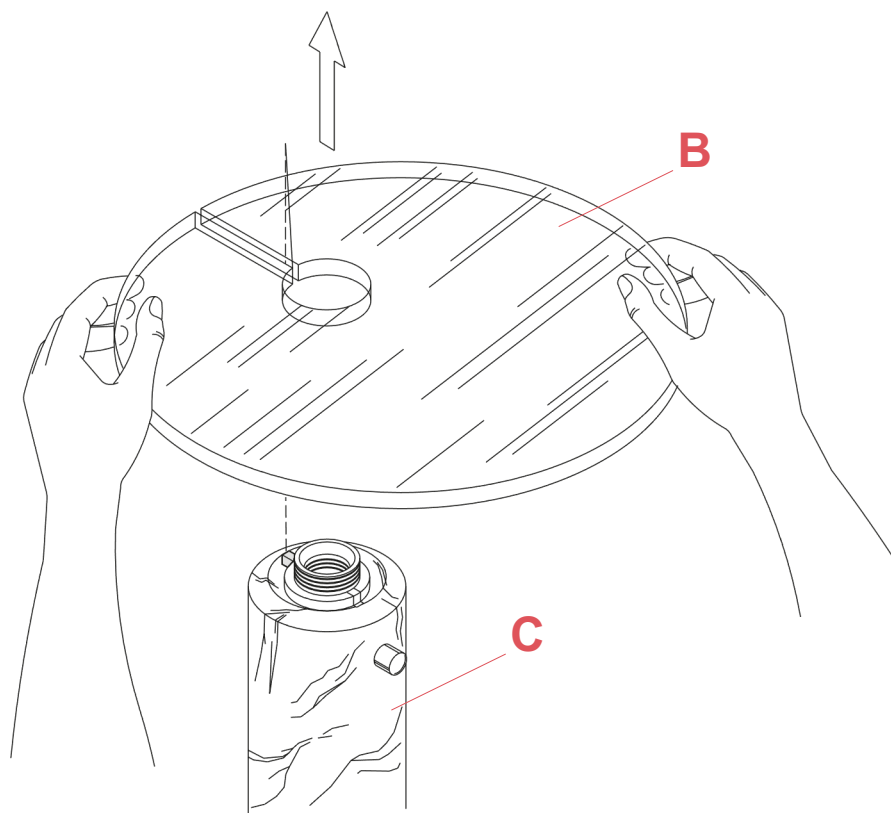


Fig.3

Delicately remove the glass diffuser (B) from the lamp body (C).

WARNING! When installing and whenever acting on the appliance, ensure that the power supply has been switched off.
For the installation of the spare-part, it is necessary to consult a qualified electrician.

SNOOPY F6380030

EN

RF12478

ELECTRICAL ASSEMBLY WITH FUSE BOX



Fig.4

Turn upside down the lamp body (C) and remove the black base cover (D) by utilizing a flat screw driver.



Fig.5

By utilizing a tiny flat screw driver, carefully push towards the inside the side spring of the lamp holder in away to free the sleeve of the lamp holder.

WARNING! When installing and whenever acting on the appliance, ensure that the power supply has been switched off. For the installation of the spare-part, it is necessary to consult a qualified electrician.

SNOOPY F6380030

EN

RF12478

ELECTRICAL ASSEMBLY WITH FUSE BOX



Fig.6



Fig.7

Remove the sleeve (G) from the lamp holder assembly by unfastening it.
Unfasten the locking screw (H) by utilizing an Allen key.

WARNING! When installing and whenever acting on the appliance, ensure that the power supply has been switched off.
For the installation of the spare-part, it is necessary to consult a qualified electrician.

SNOOPY F6380030

EN

RF12478

ELECTRICAL ASSEMBLY WITH FUSE BOX

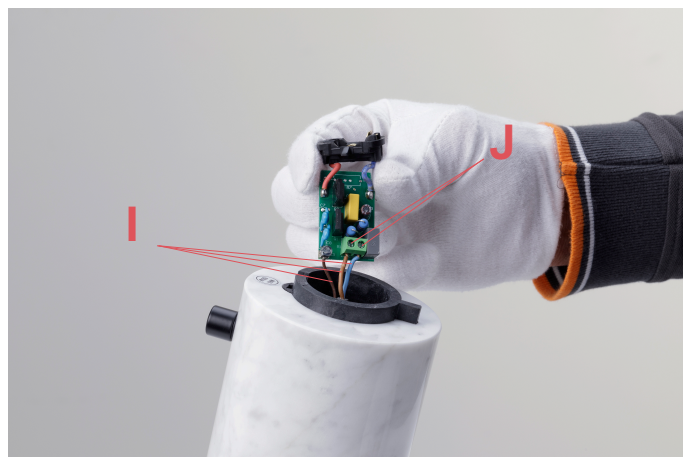


Fig.8

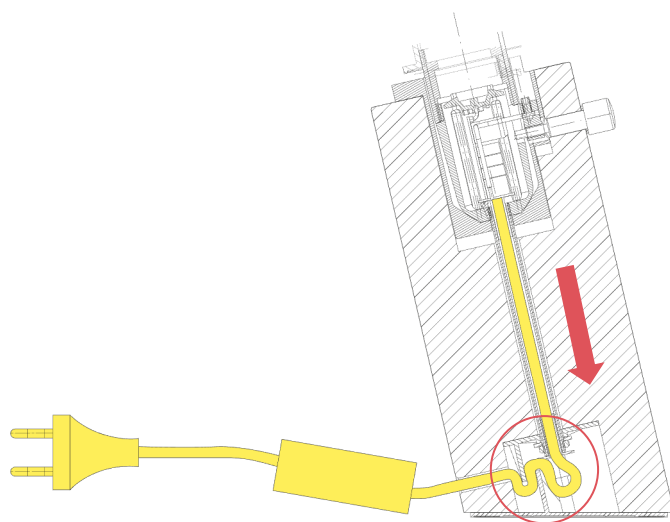


Fig.9

Lift up the lamp holder assembly with the touch dimmer (printed circuit board) from the lamp body and free the electrical cable assembly that needs to be replaced by disconnecting the electrical wires (I) through the terminals (J).

At this point remove the electrical cable assembly from the lamp body by pulling the cable from underneath the lamp body.

WARNING! When installing and whenever acting on the appliance, ensure that the power supply has been switched off. For the installation of the spare-part, it is necessary to consult a qualified electrician.

©2021 Flos - All rights reserved - www.flos.com
Flos reserves the right to introduce any changes to its own models, without prior notice.

SNOOPY F6380030

EN

RF12478

ELECTRICAL ASSEMBLY WITH FUSE BOX

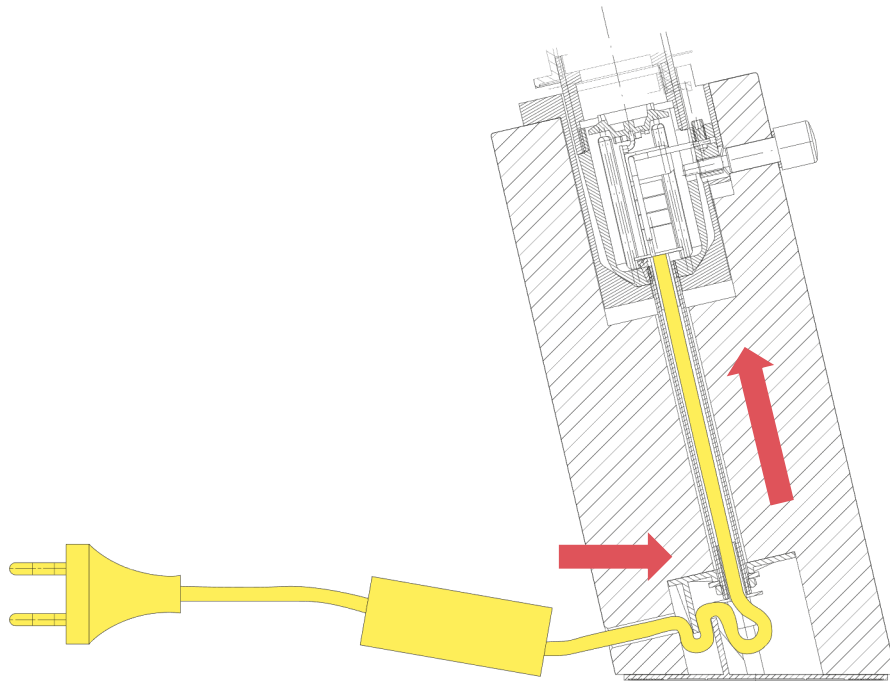


Fig.10

Assemble now the new spare-part:

Insert the new electrical assembly through the lamp body.

Connect the electrical wires (I) to the touch dimmer by respecting the polarities indicated in correspondence of the connection terminal (J).

Connect the Brown (live) wire in the terminal indicated with "L" and then connect the Blue (neutral) wire in the other terminal indicated with "N".

Position back the lamp holder assembly onto the lamp body and fasten back the locking screw (H) by utilizing an Allen key.

Screw back-on the lamp holder the sleeve (G).

Turn upside down the lamp body (C) and place back the black base cover (D).

Place the glass diffuser (B) on the main body (C) ensuring that the groove (D) corresponds perfectly to the reference tooth (E).

Lock the glass diffuser (B) by fastening the locking nut (A) and insert the lamp-bulb.

Position the reflector (F) on the glass (B) ensuring that the anti-rotation tooth (G) is inserted in the groove of the glass diffuser.

WARNING! When installing and whenever acting on the appliance, ensure that the power supply has been switched off. For the installation of the spare-part, it is necessary to consult a qualified electrician.